

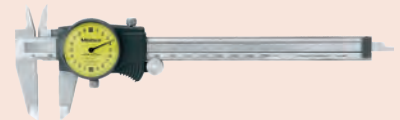
ABSOLUTE Digimatic Calipers
Pages 172-178



Vernier Calipers
Pages 179-182



Dial Calipers
Pages 183-185



Special Purpose Calipers
Pages 186-217



Depth Gauges
Pages 219-230



Ingress Protection (IP) Ratings

IP - Protection against solid objects and dust

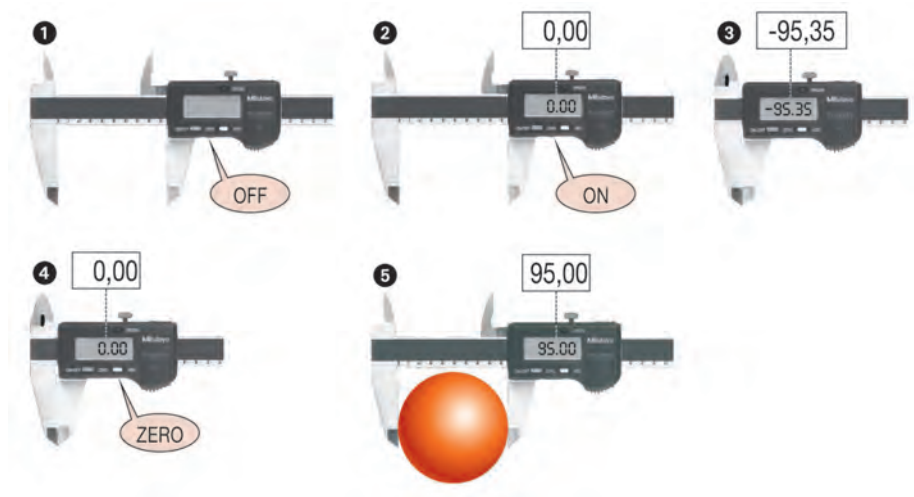
- 1x - Particles > 50.0 mm
- 2x - Particles > 12.0 mm
- 3x - Particles > 2.5 mm
- 4x - Particles > 1.0 mm
- 5x - Dust residue
- 6x - Dust intrusion

IP - Protection against water

- x1 - Dripping water
- x2 - Spray water at 15°
- x3 - Spray water at 60°
- x4 - Spray water from all directions
- x5 - Low pressure water jets
- x6 - Flooding
- x7 - Immersion (15-100 cm)
- x8 - Complete immersion (depth of immersion 1 m)



Conventional Digital Measurement

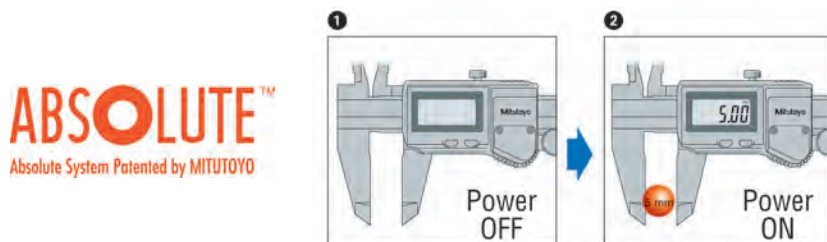


ABSOLUTE Digimatic Measurement

Absolutely safe, absolutely ingenious: The ABSOLUTE system

All Mitutoyo measuring instruments with this logo incorporate the ingenious ABSOLUTE measurement system.

An ABSOLUTE scale only needs to have the origin position set once, which then holds for all future measurements, no matter how often the instrument is switched off. Incremental measurements can be made at any time without losing the origin setting.



ABSOLUTE Digimatic Solar Caliper IP67

Series 500

- Solar powered, eco-friendly SuperCaliper needs no battery.
- Operates in only 60 lux ambient lighting.
- Does not contain harmful substances and is compatible with RoHS Directives.
- Available with or without data output.



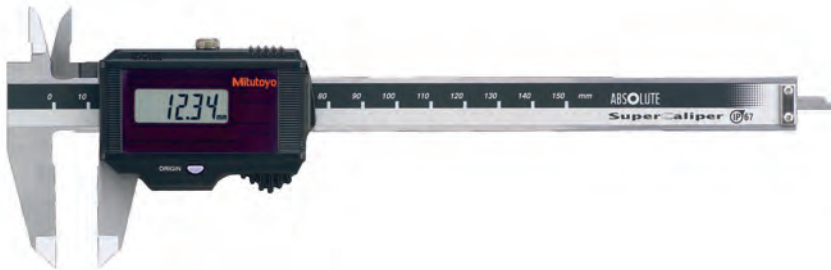
Functions	Series 500
ORIGIN	

Specifications

Accuracy	±0,02 mm/0.001" (excluding quantizing error)
Resolution	0,01 mm or 0,01 mm/0.0005"
Repeatability	0,01 mm
Max. slider speed	Unlimited
Battery	Solar cell
Delivered	In soft case

Optional accessories

No.	Description
02AZD790A	Signal cable U-Wave
06ADV380A	Signal cable 2 m USB
050083-10	75 mm base for depth measurement for models up to 200 mm
050084-10	100 mm base for depth measurement for models up to 200 mm
05CZA624	Data cable 1 m with button
05CZA625	Data cable 2 m with button



500-772

Metric Without thumb roller

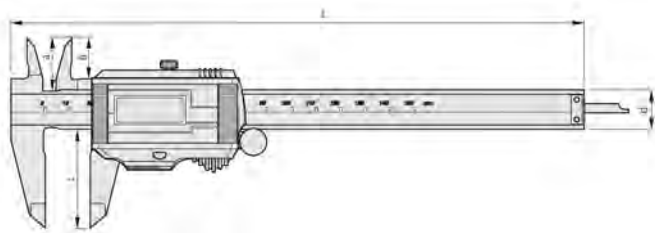
No.	Range	Depth bar	Data output	L mm	a mm	b mm	c mm	d mm	Mass g
500-772	0-150 mm	flat		233	21	16.5	40	16	180
500-792	0-150 mm	Ø 1,9 mm		233	21	16.5	40	16	180
500-778	0-150 mm	flat		233	21	16.5	40	16	180
500-773	0-200 mm	flat		290	24.5	20	50	16	210
500-779	0-200 mm	flat		290	24.5	20	50	16	210

Metric With thumb roller

No.	Range	Depth bar	Data output	L mm	a mm	b mm	c mm	d mm	Mass g
500-774	0-150 mm	flat		233	21	16.5	40	16	180
500-776*	0-150 mm	flat		233	21	16.5	40	16	180
500-775*	0-200 mm	flat		290	24.5	20	50	16	210
500-777*	0-200 mm	flat		290	24.5	20	50	16	210

Inch/Metric With thumb roller

No.	Range	Depth bar	Data output	L mm	a mm	b mm	c mm	d mm	Mass g
500-784	0-150 mm/0-6"	flat		233	21	16.5	40	16	180
500-786	0-150 mm/0-6"	flat		233	21	16.5	40	16	180
500-785*	0-200 mm/0-8"	flat		290	24.5	20	50	16	210
500-787*	0-200 mm/0-8"	flat		290	24.5	20	50	16	210



ABSOLUTE Digimatic Solar Caliper



Series 500

- Solar cell enables operation in only 60 lux ambient lighting.
- Available with or without data output.

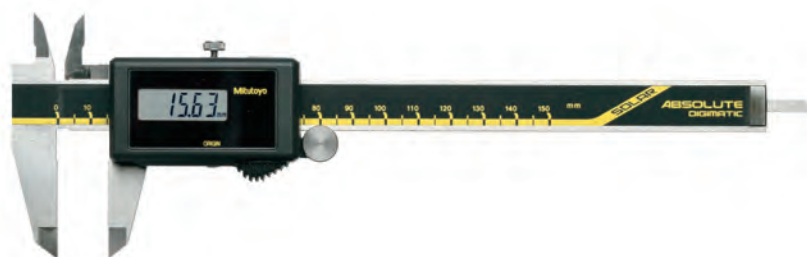
Functions	Series 500
ORIGIN	●
DATA/HOLD	●

Specifications

Accuracy	±0,02 mm/0.001" (excluding quantizing error)
Resolution	0,01 mm/0.0005"
Repeatability	0,01 mm
Max. slider speed	Unlimited
Battery	Solar cell
Delivered	In soft case

Optional accessories

No.	Description
959149	Signal cable 1 m with data switch
959150	Signal cable 2 m with data switch
050083-10	75 mm base for depth measurement for models up to 200 mm
050084-10	100 mm base for depth measurement for models up to 200 mm
959143	Data-hold unit
06ADV380C	Signal cable 2 m USB
02AZD790C	Signal cable for U-Wave with data switch



500-444

Metric Without thumb roller

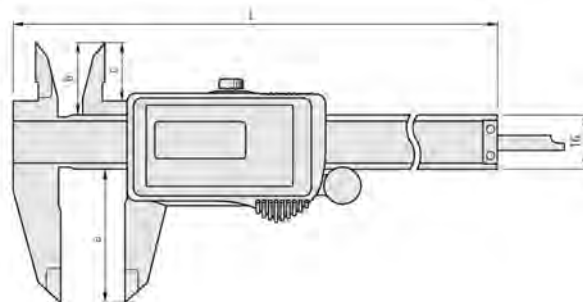
No.	Range	Depth bar	L mm	a mm	b mm	c mm	Mass g
500-457	0-150 mm	flat	233	40	21	16.5	150
500-458	0-200 mm	flat	290	50	24	20	180

Metric With thumb roller

No.	Range	Depth bar	Data output	L mm	a mm	b mm	c mm	Mass g
500-453*	0-100 mm	Ø 1,9 mm		182	40	21	16.5	125
500-443	0-100 mm	Ø 1,9 mm	●	182	40	21	16.5	145
500-454*	0-150 mm	flat		233	40	21	16.5	150
500-444	0-150 mm	flat	●	233	40	21	16.5	170
500-455*	0-200 mm	flat		290	50	24	20	180
500-445	0-200 mm	flat	●	290	50	24	20	200

Inch/Metric With thumb roller

No.	Range	Depth bar	Data output	L mm	a mm	b mm	c mm	Mass g
500-473*	0-100 mm/0-4"	Ø 0.075"		182	40	21	16.5	125
500-463*	0-100 mm/0-4"	Ø 0.075"	●	182	40	21	16.5	145
500-474*	0-150 mm/0-6"	flat		233	40	21	16.5	150
500-464*	0-150 mm/0-6"	flat	●	233	40	21	16.5	170
500-475*	0-200 mm/0-8"	flat		290	50	24	20	180
500-465*	0-200 mm/0-8"	flat	●	290	50	24	20	200



ABSOLUTE Digimatic Caliper IP67

Series 500

- Designed for use in challenging work environments.
- Extremely resistant to coolants and lubricants.
- Available with or without data output.



500-706-11

Metric Without thumb roller

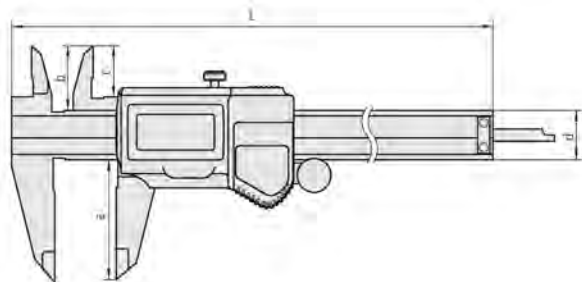
No.	Range	Depth bar	Data output	L mm	a mm	b mm	c mm	d mm	Mass g
500-706-11	0-150 mm	flat		233	40	21	16.5	16	164
500-709-11	0-150 mm	∅ 1,9 mm		233	40	21	16.5	16	164
500-716-11	0-150 mm	flat	●	233	40	21	16.5	16	164
500-720-11	0-150 mm	∅ 1,9 mm	●	233	40	21	16.5	16	164
500-707-11	0-200 mm	flat		290	50	24.5	20	16	194
500-717-11	0-200 mm	flat	●	290	50	24.5	20	16	194
500-708-11	0-300 mm	flat		404	64	27.5	21.8	20	345
500-718-11	0-300 mm	flat	●	404	64	27.5	21.8	20	345

Metric With thumb roller

No.	Range	Depth bar	Data output	L mm	a mm	b mm	c mm	d mm	Mass g
500-702-10	0-150 mm	flat		233	40	21	16.5	16	164
500-712-10	0-150 mm	flat	●	233	40	21	16.5	16	164
500-719-10*	0-150 mm	∅ 1,9 mm	●	233	40	21	16.5	16	164
500-703-10*	0-200 mm	flat		290	50	24.5	20	16	194
500-713-10	0-200 mm	flat	●	290	50	24.5	20	16	194
500-704-10	0-300 mm	flat		404	64	27.5	21.8	20	345
500-714-10*	0-300 mm	flat	●	404	64	27.5	21.8	20	345

Inch/Metric With thumb roller

No.	Range	Depth bar	Data output	L mm	a mm	b mm	c mm	d mm	Mass g
500-752-10	0-150 mm/0-6"	flat		233	40	21	16.5	16	164
500-768-10*	0-150 mm/0-6"	∅ 0.075"		233	40	21	16.5	16	164
500-762-10	0-150 mm/0-6"	flat	●	233	40	21	16.5	16	164
500-769-10*	0-150 mm/0-6"	∅ 0.075"	●	233	40	21	16.5	16	164
500-753-10	0-200 mm/0-8"	flat		290	50	24.5	20	16	194
500-763-10	0-200 mm/0-8"	flat	●	290	50	24.5	20	16	194
500-754-10	0-300 mm/0-12"	flat		404	64	27.5	21.8	20	345
500-764-10	0-300 mm/0-12"	flat	●	404	64	27.5	21.8	20	345



Functions	Series 500
ORIGIN	●
ZERO/ABS	●
Auto power on-off	●
Low voltage alarm	●

Specifications

Accuracy	≤ 200 mm/8" : ±0,02 mm/0.001" > 200 mm/8" : ±0,03 mm/0.0015" (excluding quantizing error)
Resolution	0,01 mm or 0,01 mm/0.0005"
Repeatability	0,01 mm
Max. slider speed	Unlimited
Delivered	In soft case, including 1 battery

Optional accessories

No.	Description
02AZD790A	Signal cable U-Wave
06ADV380A	Signal cable 2 m USB
050083-10	75 mm base for depth measurement for models up to 200 mm
050084-10	100 mm base for depth measurement for models up to 200 mm
050085-10	125 mm base for depth measurement for 300 mm models
05CZA624	Data cable 1 m with button
05CZA625	Data cable 2 m with button

Consumable spares

No.	Description
938882	Battery SR44

ABSOLUTE Digimatic Carbide Caliper IP67



Series 500

Carbide-tipped jaws

- Designed for use in challenging work environments.
- Extremely wear-resistant jaws. Extremely resistant to coolants and lubricants.
- Available with or without data output.

Functions	Series 500
ORIGIN	●
ZERO/ABS	●
Auto power on-off	●
Low voltage alarm	●

Specifications

Accuracy	≤ 200 mm/8" : ±0,02 mm/0.001" > 200 mm/8" : ±0,03 mm/0.0015" (excluding quantizing error)
Resolution	0,01 mm or 0,01 mm/0.0005"
Repeatability	0,01 mm
Max. slider speed	Unlimited
Depth bar	Flat
Delivered	In soft case, including 1 battery

Optional accessories

No.	Description
02AZD790A	Signal cable U-Wave
06ADV380A	Signal cable 2 m USB
050083-10	75 mm base for depth measurement for models up to 200 mm
050084-10	100 mm base for depth measurement for models up to 200 mm
050085-10	125 mm base for depth measurement for 300 mm models
05CZA624	Data cable 1 m with button
05CZA625	Data cable 2 m with button

Consumable spares

No.	Description
938882	Battery SR44



Carbide-tipped jaws



Metric

Carbide-tipped jaws for outside measurement

No.	Range	Data output	Thumb roller	L mm	a mm	b mm	c mm	d mm	Mass g
500-721-10*	0-150 mm	●	●	233	40	21	16.5	16	168
500-722-10*	0-200 mm	●	●	290	50	24.5	20	16	198

Metric

Carbide-tipped jaws for outside/inside measurement

No.	Range	Data output	Thumb roller	L mm	a mm	b mm	c mm	d mm	Mass g
500-727-11	0-150 mm	●		233	40	21	16.5	16	164
500-723-10*	0-150 mm	●	●	233	40	21	16.5	16	168
500-728-11	0-200 mm	●		290	50	24.5	20	16	194
500-724-10*	0-200 mm	●	●	290	50	24.5	20	16	198

Inch/Metric

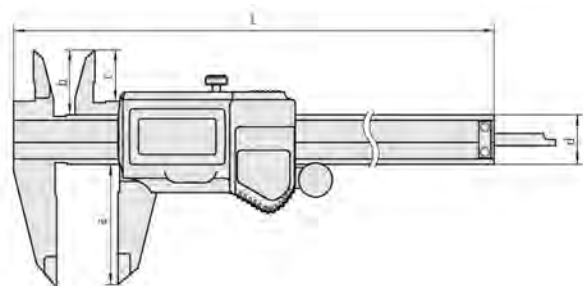
Carbide-tipped jaws for outside measurement

No.	Range	Data output	Thumb roller	L mm	a mm	b mm	c mm	d mm	Mass g
500-731-10*	0-150 mm/0-6"		●	233	40	21	16.5	16	168
500-735-10	0-150 mm/0-6"	●	●	233	40	21	16.5	16	168
500-732-10*	0-200 mm/0-8"		●	290	50	24.5	20	16	198
500-736-10	0-200 mm/0-8"	●	●	290	50	24.5	20	16	198

Inch/Metric

Carbide-tipped jaws for outside/inside measurement

No.	Range	Data output	Thumb roller	L mm	a mm	b mm	c mm	d mm	Mass g
500-733-10*	0-150 mm/0-6"		●	233	40	21	16.5	16	168
500-737-10	0-150 mm/0-6"	●	●	233	40	21	16.5	16	168
500-734-10*	0-200 mm/0-8"		●	290	50	24.5	20	16	198
500-738-10	0-200 mm/0-8"	●	●	290	50	24.5	20	16	198



ABSOLUTE Digimatic Caliper

Series 500

- Standard model features 4-way Absolute and Incremental measurement modes, rustless construction, hardened and lapped contact surfaces, and bevelled jaws (inside and outside) for measuring narrow grooves and small holes.
- Available with or without data output.



Metric Without thumb roller

No.	Range	Depth bar	Data output	L mm	a mm	b mm	c mm	d mm	Mass g
500-180-20*	0-100 mm	∅ 1,9 mm		182	40	21	16.5	16	142
500-201-21	0-100 mm	∅ 1,9 mm	●	182	40	21	16.5	16	143
500-184-20	0-150 mm	∅ 1,9 mm		233	40	21	16.5	16	164
500-203-21	0-150 mm	∅ 1,9 mm	●	233	40	21	16.5	16	168
500-181-20	0-150 mm	flat		233	40	21	16.5	16	164
500-161-20	0-150 mm	flat	●	233	40	21	16.5	16	164
500-182-20	0-200 mm	flat		290	50	24.5	20	16	194
500-162-20	0-200 mm	flat	●	290	50	24.5	20	16	194
500-205	0-300 mm	flat	●	404	64	27.5	22	20	350

Metric With thumb roller

No.	Range	Depth bar	Data output	L mm	a mm	b mm	c mm	d mm	Mass g
500-150-20	0-100 mm	∅ 1,9 mm	●	182	40	21	16.5	16	143
500-151-20	0-150 mm	flat	●	233	40	21	16.5	16	164
500-158-20	0-150 mm	∅ 1,9 mm	●	233	40	21	16.5	16	164
500-152-20	0-200 mm	flat	●	290	50	24.5	20	16	194
500-153	0-300 mm	flat	●	404	64	27.5	22	20	350

Inch/Metric Without thumb roller

No.	Range	Depth bar	Data output	L mm	a mm	b mm	c mm	d mm	Mass g
500-191-20	0-150 mm/0-6"	flat		233	40	21	16.5	16	168
500-202-21	0-150 mm/0-6"	flat	●	233	40	21	16.5	16	168
500-204-21	0-200 mm/0-8"	flat	●	290	50	24.5	20	16	198

Inch/Metric With thumb roller

No.	Range	Depth bar	Data output	L mm	a mm	b mm	c mm	d mm	Mass g
500-195-20*	0-100 mm/0-4"	∅ 0.075"		182	40	21	16.5	16	137
500-170-20	0-100 mm/0-4"	∅ 0.075"	●	182	40	21	16.5	16	143
500-196-20	0-150 mm/0-6"	flat		233	40	21	16.5	16	168
500-171-20	0-150 mm/0-6"	flat	●	233	40	21	16.5	16	168
500-178-20*	0-150 mm/0-6"	∅ 0.075"	●	233	40	21	16.5	16	168
500-197-20	0-200 mm/0-8"	flat		290	50	24.5	20	16	198
500-172-20	0-200 mm/0-8"	flat	●	290	50	24.5	20	16	198
500-193	0-300 mm/0-12"	flat		404	64	27.5	22	20	350
500-173	0-300 mm/0-12"	flat	●	404	64	27.5	22	20	350

Functions	Series 500
ORIGIN	●
ZERO/ABS	●
ON/OFF	●
Low voltage alarm	●

Specifications

Accuracy	≤ 200 mm/8" : ±0,02 mm/0.001" > 200 mm/8" : ±0,03 mm/0.0015" (excluding quantizing error)
Resolution	0,01 mm or 0,01 mm/0.0005"
Repeatability	0,01 mm
Max. slider speed	Unlimited
Delivered	In soft case, including 1 battery

Optional accessories

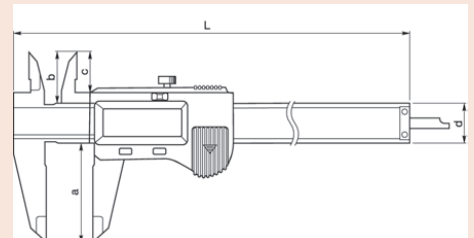
No.	Description
959149	Signal cable 1 m with data switch
959150	Signal cable 2 m with data switch
050083-10	75 mm base for depth measurement for models up to 200 mm
050084-10	100 mm base for depth measurement for models up to 200 mm
050085-10	125 mm base for depth measurement for 300 mm models
959143	Data-hold unit
06ADV380C	Signal cable 2 m USB
02AZD790C	Signal cable for U-Wave with data switch

Consumable spares

No.	Description
938882	Battery SR44



Round depth bar type



ABSOLUTE Digimatic Carbide Caliper

ABSOLUTE
Absolute System Enabled by MITSUBISHI



Series 500

Carbide-tipped jaws

- Features 4-way Absolute and Incremental measurement modes, rustless construction, extremely wear-resistant bevelled jaws (inside and outside) for measuring narrow grooves and small holes.
- Available with or without data output.



Metric

Carbide-tipped jaws for outside measurement

No.	Range	Data output	Thumb roller	L mm	a mm	b mm	c mm	d mm	Mass g
500-233-21	0-150 mm	●		233	40	21	16.5	16	168
500-154-20	0-150 mm	●	●	233	40	21	16.5	16	168
500-235-21	0-200 mm	●		290	50	24.5	20	16	198
500-156-20	0-200 mm	●	●	290	50	24.5	20	16	198

Metric

Carbide-tipped jaws for outside/inside measurement

No.	Range	Data output	Thumb roller	L mm	a mm	b mm	c mm	d mm	Mass g
500-155-20	0-150 mm	●	●	233	40	21	16.5	16	168
500-157-20	0-200 mm	●	●	290	50	24.5	20	16	198

Inch/Metric

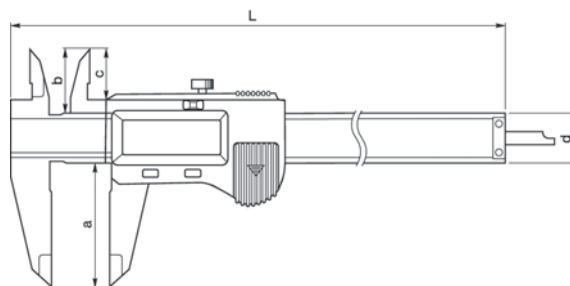
Carbide-tipped jaws for outside measurement

No.	Range	Data output	Thumb roller	L mm	a mm	b mm	c mm	d mm	Mass g
500-159-20*	0-150 mm/0-6"		●	233	40	21	16.5	16	168
500-174-20	0-150 mm/0-6"	●	●	233	40	21	16.5	16	168
500-163-20*	0-200 mm/0-8"		●	290	50	24.5	20	16	198
500-176-20*	0-200 mm/0-8"	●	●	290	50	24.5	20	16	198
500-165*	0-300 mm/0-12"			404	64	27.5	22	20	350
500-167*	0-300 mm/0-12"	●	●	404	64	27.5	22	20	350

Inch/Metric

Carbide-tipped jaws for outside/inside measurement

No.	Range	Data output	Thumb roller	L mm	a mm	b mm	c mm	d mm	Mass g
500-160-20	0-150 mm/0-6"		●	233	40	21	16.5	16	168
500-175-20	0-150 mm/0-6"	●	●	233	40	21	16.5	16	168
500-164-20*	0-200 mm/0-8"		●	290	50	24.5	20	16	198
500-177-20*	0-200 mm/0-8"	●	●	290	50	24.5	20	16	198
500-166	0-300 mm/0-12"			404	64	27.5	22	20	350
500-168*	0-300 mm/0-12"	●	●	404	64	27.5	22	20	350



Functions	Series 500
ORIGIN	●
ZERO/ABS	●
ON/OFF	●
Low voltage alarm	●

Specifications

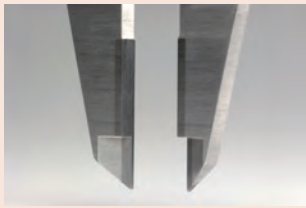
Accuracy	≤ 200 mm/8" : ±0,02 mm/0.001" > 200 mm/8" : ±0,03 mm/0.0015" (excluding quantizing error)
Resolution	0,01 mm or 0,01 mm/0.0005"
Repeatability	0,01 mm
Max. slider speed	Unlimited
Depth bar	Flat
Delivered	In soft case, including 1 battery

Optional accessories

No.	Description
959149	Signal cable 1 m with data switch
959150	Signal cable 2 m with data switch
050083-10	75 mm base for depth measurement for models up to 200 mm
050084-10	100 mm base for depth measurement for models up to 200 mm
050085-10	125 mm base for depth measurement for 300 mm models
959143	Data-hold unit
06ADV380C	Signal cable 2 m USB
02AZD790C	Signal cable for U-Wave with data switch

Consumable spares

No.	Description
938882	Battery SR44



Carbide-tipped jaws

ABSOLUTE Digimatic High Capacity Caliper

Series 500

- Robust design for large measuring ranges.
- SPC data output.



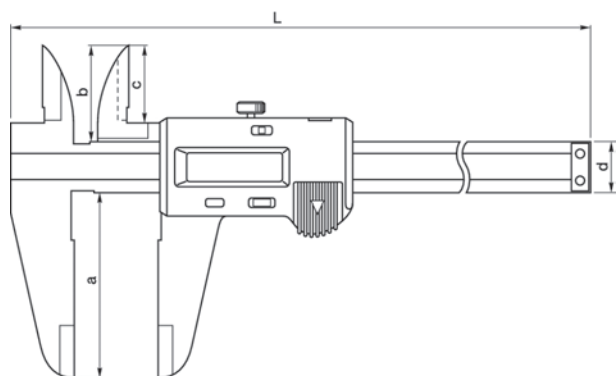
500-500-10

Metric

No.	Range	L mm	a mm	b mm	c mm	d mm	Mass g
500-500-10	0-450 mm	630	90	47	38	25	1,170
500-501-10	0-600 mm	780	90	47	38	25	1,350
500-502-10	0-1000 mm	1,240	130	61	50	32	3,300

Inch/Metric

No.	Range	L mm	a mm	b mm	c mm	d mm	Mass g
500-505-10	0-450 mm/0-18"	630	90	47	38	25	1,170
500-506-10	0-600 mm/0-24"	780	90	47	38	25	1,350
500-507-10	0-1000 mm/0-40"	1,240	130	61	50	32	3,700



Functions	Series 500
Data output	●
ORIGIN	●
ZERO/ABS	●
ON/OFF	●
Low voltage alarm	●

Specifications

Accuracy	≤ 600 mm/24" : ±0,05 mm/0.002"
	≤ 1000 mm/40" : ±0,07 mm/0.003"
	(excluding quantizing error)
Resolution	0,01 mm or 0,01 mm/0.0005"
Repeatability	0,01 mm
Max. slider speed	Unlimited
Delivered	In soft case, including 1 battery

Optional accessories

No.	Description
959149	Signal cable 1 m with data switch
959150	Signal cable 2 m with data switch
959143	Data-hold unit
06ADV380C	Signal cable 2 m USB
02AZD790C	Signal cable for U-Wave with data switch

Consumable spares

No.	Description
938882	Battery SR44

Vernier Caliper

Series 530

- Caliper and slide made of hardened stainless steel.
- Main scale and vernier scale satin chrome finished for high readability.
- Raised sliding surfaces.

Specifications

Accuracy Refer to the list of specifications
 Delivered In soft case

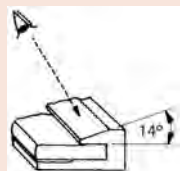
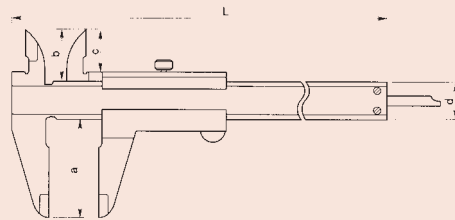
Optional accessories

No.	Description
050083-10	75 mm base for depth measurement for models up to 200 mm
050084-10	100 mm base for depth measurement for models up to 200 mm
050085-10	125 mm base for depth measurement for 300 mm models

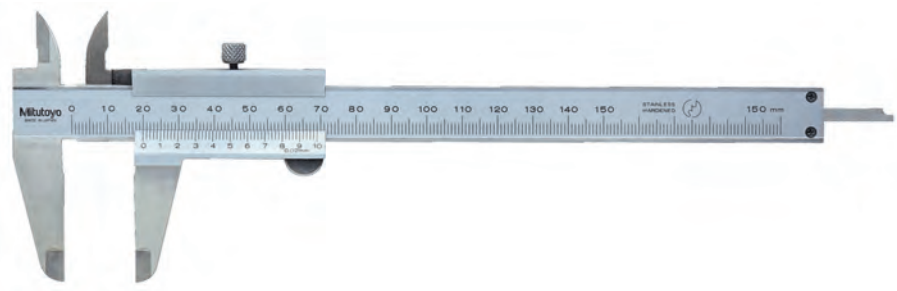


530-316

Clamping screw below the slider



Easy reading due to vernier scales inclined by 14 degrees



530-122

Metric

Graduation 0,05 mm

No.	Range	Depth bar	Accuracy	L mm	a mm	b mm	c mm	d mm	Mass g
530-100*	0-100 mm	∅ 1,9 mm	±0,05 mm	182	40	21.5	17	16	128
530-102	0-150 mm	∅ 1,9 mm	±0,05 mm	229	40	21	17	16	144
530-101	0-150 mm	flat	±0,05 mm	229	40	21	17	16	143
530-108	0-200 mm	flat	±0,05 mm	288	50	24.5	20.5	16	180
530-109	0-300 mm	flat	±0,08 mm	404	64	27.5	22	20	355
530-501	0-600 mm	without	±0,10 mm	780	90	47	38	25	1,300
530-502*	0-1000 mm	without	±0,15 mm	1,240	130	60	50	32	3,300

Metric

Graduation 0,02 mm

No.	Range	Depth bar	Accuracy	L mm	a mm	b mm	c mm	d mm	Mass g
530-122	0-150 mm	flat	±0,03 mm	229	40	21	17	16	143
530-123	0-200 mm	flat	±0,03 mm	288	50	24.5	20.5	16	180
530-124	0-300 mm	flat	±0,04 mm	404	64	27.5	22	20	355

Metric/Inch

Graduation 0,02 mm-0.001"

No.	Range	Depth bar	Accuracy	L mm	a mm	b mm	c mm	d mm	Mass g
530-312	0-150 mm/0-6"	flat	±0,03 mm/0.0015"	229	40	21	17	16	143
530-118	0-200 mm/0-8"	flat	±0,03 mm/0.0015"	288	50	24.5	20.5	16	180
530-119	0-300 mm/0-12"	flat	±0,04 mm/0.002"	404	64	27.5	22	20	355

Metric/Inch

Graduation 0,05 mm-1/128"

No.	Range	Depth bar	Accuracy	L mm	a mm	b mm	c mm	d mm	Mass g
530-104	0-150 mm/0-6"	flat	±0,05 mm/0.002"	229	40	21	17	16	143
530-316	0-150 mm/0-6"	flat	±0,05 mm/0.002"	229	40	21	17	16	145
530-114	0-200 mm/0-8"	flat	±0,05 mm/0.002"	288	50	24.5	20.5	16	180
530-115	0-300 mm/0-12"	flat	±0,08 mm/0.003"	404	64	27.5	22	20	355

Inch

Graduation 1/128"

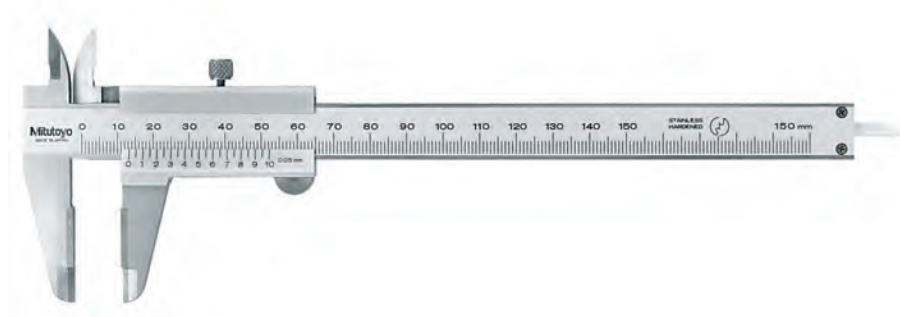
No.	Range	Depth bar	Accuracy	L mm	a mm	b mm	c mm	d mm	Mass g
530-105	0-6"	flat	±0.002"	229	40	21	17	16	143
530-116	0-8"	flat	±0.002"	229	40	21	17	16	180

Carbide Vernier Caliper

Series 530

Carbide-tipped jaws

- Caliper and slide made of hardened stainless steel.
- Main scale and vernier scale satin chrome finished for high readability.
- Raised sliding surfaces



530-320

Metric

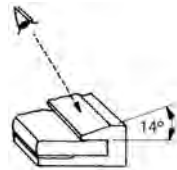
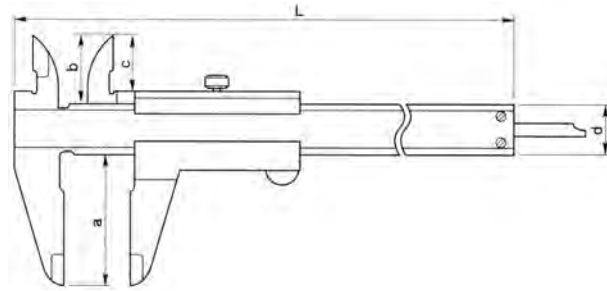
Carbide-tipped jaws for outside measurement

No.	Range	Depth bar	Accuracy	L mm	a mm	b mm	c mm	d mm	Mass g
530-320	0-150 mm	flat	±0,05 mm	229	40	21	17	16	145
530-321	0-200 mm	flat	±0,05 mm	288	50	24.5	20.5	16	181
530-322	0-300 mm	flat	±0,08 mm	404	64	27.5	22	20	355

Metric

Carbide-tipped jaws for outside/inside measurement

No.	Range	Depth bar	Accuracy	L mm	a mm	b mm	c mm	d mm	Mass g
530-335	0-150 mm	flat	±0,05 mm	229	40	21	17	16	145



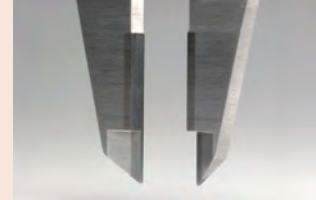
Easy reading due to vernier scales inclined by 14 degrees

Specifications

Accuracy	Refer to the list of specifications
Graduation	0,05 mm
Delivered	In soft case

Optional accessories

No.	Description
050083-10	75 mm base for depth measurement for models up to 200 mm
050084-10	100 mm base for depth measurement for models up to 200 mm
050085-10	125 mm base for depth measurement for 300 mm models



Carbide-tipped measuring surfaces

Vernier Caliper with thumb clamp

Series 531

- The slider moves only when the spring-loaded thumb grip is depressed.
- Can measure outside and inside diameter (OD and ID), depth, and steps.

Specifications

Accuracy Refer to the list of specifications
 Delivered In soft case

Optional accessories

No.	Description
050083-10	75 mm base for depth measurement for models up to 200 mm
050084-10	100 mm base for depth measurement for models up to 200 mm
050085-10	125 mm base for depth measurement for 300 mm models



531-122

Metric

No.	Range	Depth bar	Accuracy	Graduation	L mm	a mm	b mm	c mm	d mm	Mass g
531-101	0-150 mm	flat	±0,05 mm	0,05 mm	229	40	21.5	17	16	142
531-102*	0-200 mm	flat	±0,05 mm	0,05 mm	288	50	25	20.5	16	175
531-103*	0-300 mm	flat	±0,08 mm	0,05 mm	403	64	27.5	22	20	360

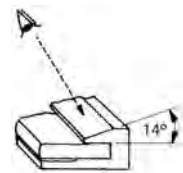
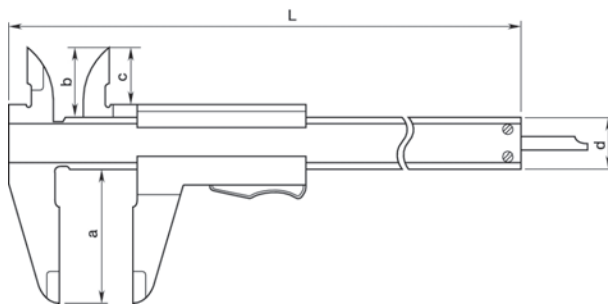
Metric/Inch

No.	Range	Depth bar	Accuracy	Graduation	L mm	a mm	b mm	c mm	d mm	Mass g
531-122	0-150 mm/ 0-6"	flat	±0,05 mm/ 0.002"	0,05 mm-1/128"	229	40	21.5	17	16	142
531-108	0-200 mm/ 0-8"	flat	±0,05 mm/ 0.002"	0,05 mm-1/128"	288	50	25	20.5	16	175
531-109	0-300 mm/ 0-12"	flat	±0,08 mm/ 0.003"	0,05 mm-1/128"	403	64	27.5	22	20	360

Metric/Inch

High accuracy model

No.	Range	Depth bar	Accuracy	Graduation	L mm	a mm	b mm	c mm	d mm	Mass g
531-128	0-150 mm/ 0-6"	flat	±0,03 mm/ 0.0015"	0,02 mm-0.001"	229	40	21.5	17	16	142
531-129	0-200 mm/ 0-8"	flat	±0,03 mm/ 0.0015"	0,02 mm-0.001"	288	50	25	20.5	16	175
531-112	0-300 mm/ 0-12"	flat	±0,04 mm/0.002"	0,02 mm-0.001"	403	64	27.5	22	20	360

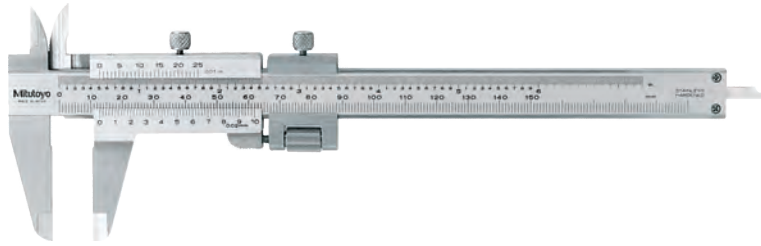


Easy reading due to vernier scales inclined by 14 degrees

Vernier Caliper with fine adjustment

Series 532

- Can measure outside and inside diameter (OD and ID), depth, and steps.



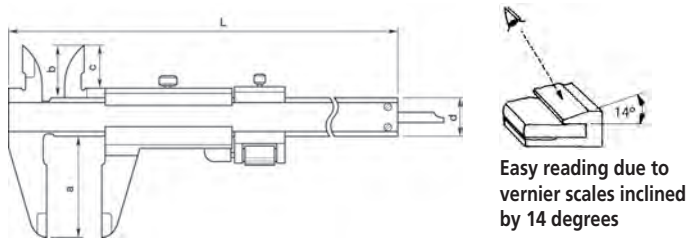
532-119

Metric

No.	Range	Depth bar	Accuracy	L mm	a mm	b mm	c mm	d mm	Mass g
532-101	0-130 mm	flat	±0,03 mm	229	40	21.5	17	16	165
532-102	0-180 mm	flat	±0,03 mm	288	50	25	20.5	16	202
532-103	0-280 mm	flat	±0,04 mm	403	64	27.5	22	20	395

Metric/Inch

No.	Range	Depth bar	Accuracy	L mm	a mm	b mm	c mm	d mm	Mass g
532-119	0-130 mm/0-5"	flat	±0,03 mm/0.0015"	229	40	21.5	17	16	165
532-120	0-180 mm/0-7"	flat	±0,03 mm/0.0015"	288	50	25	20.5	16	202
532-121	0-280 mm/0-11"	flat	±0,04 mm/0.002"	404	64	27.5	22	20	395

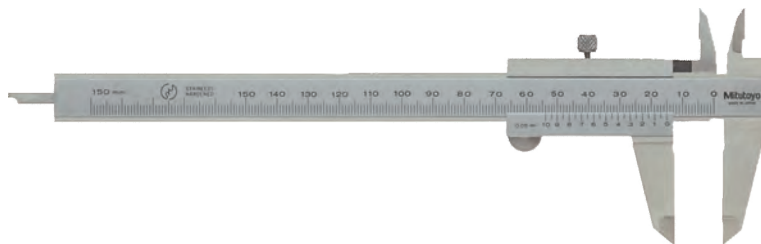


Easy reading due to vernier scales inclined by 14 degrees

Left-Handed Vernier Caliper

Series 536

- Parallax-free vernier scales for easy and positive measurement.



536-310

Metric

No.	Range	Depth bar	Accuracy	Jaw length mm	Mass g
536-310	0-150 mm	flat	±0,05 mm	40	150

Specifications

Accuracy	Refer to the list of specifications
Graduation	0,02 mm or 0,02 mm/0.001"
Delivered	In soft case

Optional accessories

No.	Description
050083-10	75 mm base for depth measurement for models up to 200 mm
050084-10	100 mm base for depth measurement for models up to 200 mm
050085-10	125 mm base for depth measurement for 300 mm models

- Beam and slide made of hardened stainless steel.
- Main and vernier scales satin chrome plated.
- Lapped measuring faces.

Specifications

Graduation	0,05 mm
Delivered	In soft case

- Beam and slide made of hardened stainless steel.
- Main and vernier scales satin chrome plated.
- Lapped measuring faces.

Dial Caliper

Series 505

- A titanium coating is applied to the sliding surfaces to enhance the durability (except for 0-12" model).
- Can measure outside and inside diameter (OD and ID), depth, and steps.
- Special models available with carbide-tipped outside and inside jaws.



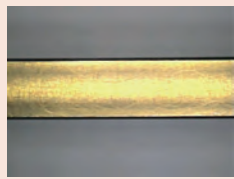
Series 505			
	505-677	up to 505-714	505-688
Functions			
Thumb roller	●	●	●
Depth bar	●	●	●
Locking screw	●	●	●

Specifications

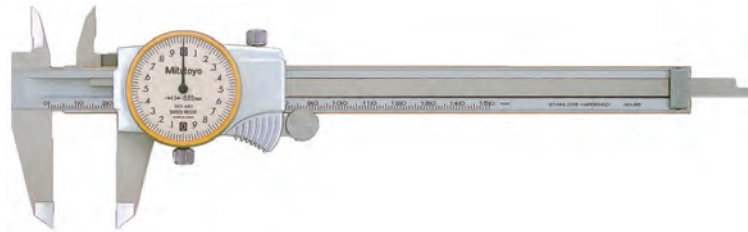
Accuracy Refer to the list of specifications
 Delivered In soft case

Optional accessories

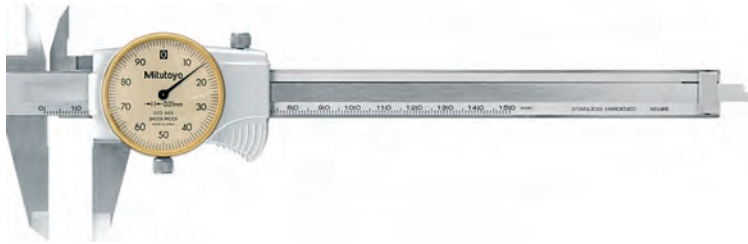
No.	Description
050083-10	75 mm base for depth measurement for models up to 200 mm
050084-10	100 mm base for depth measurement for models up to 200 mm
050085-10	125 mm base for depth measurement for 300 mm models



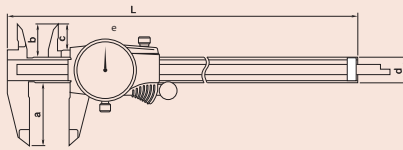
Titanium coating



505-683



505-688



Metric

No.	Range	Accuracy	Graduation	Sliding titanium coated	L mm	a mm	b mm	c mm	d mm	Mass g
505-683*	0-150 mm	±0,03 mm	0,02 mm, 2 mm/rev	●	231	40	21	16.5	16	175
505-685	0-150 mm	±0,02 mm	0,01 mm, 1 mm/rev	●	231	40	21	16.5	16	176
505-688	0-150 mm ⁽¹⁾	±0,02 mm	0,01 mm, 1 mm/rev	●	231	40	21	16.5	16	176
505-684*	0-200 mm	±0,03 mm	0,02 mm, 2 mm/rev	●	288	50	24.5	20	16	185
505-686	0-200 mm	±0,03 mm	0,01 mm, 1 mm/rev	●	288	50	24.5	20	16	186

⁽¹⁾ Without thumb roller

Inch

No.	Range	Accuracy	Graduation	Sliding titanium coated	L mm	a mm	b mm	c mm	d mm	Mass g
505-689*	0-6"	±0.001"	0.001", 0.1"/rev	●	231	40	21	16.5	16	175
505-690*	0-8"	±0.002"	0.001", 0.1"/rev	●	288	50	24.5	20	16	185
505-677*	0-12"	±0.002"	0.001", 0.1"/rev		403	64	27.5	22	20	370

Inch

Carbide-tipped jaws for outside measurement

No.	Range	Accuracy	Graduation	L mm	a mm	b mm	c mm	d mm	Mass g
505-710*	0-12"	±0.002"	0.001", 0.1"/rev	403	64	27.5	22	20	370

Inch

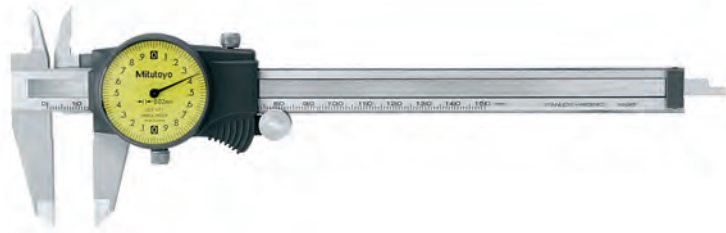
Carbide-tipped jaws for outside/inside measurement

No.	Range	Accuracy	Graduation	L mm	a mm	b mm	c mm	d mm	Mass g
505-714*	0-12"	±0.002"	0.001", 0.1"/rev	403	64	27.5	22	20	370

Dial Caliper

Series 505

- Titanium coating is applied to the sliding surfaces to enhance durability (except for 0-300 mm and 0-12" model).
- Can measure outside and inside diameter (OD and ID), depth, and steps.



505-671



505-673

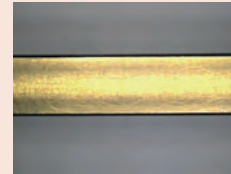
Functions	Series 505
Thumb roller	●
Depth bar	●
Locking screw	●

Specifications

Accuracy Refer to the list of specifications
Delivered In soft case

Optional accessories

No.	Description
050083-10	75 mm base for depth measurement for models up to 200 mm
050084-10	100 mm base for depth measurement for models up to 200 mm
050085-10	125 mm base for depth measurement for 300 mm models



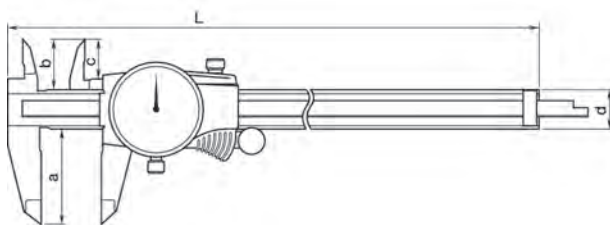
Titanium coating

Metric

No.	Range	Accuracy	Graduation	Sliding titanium coated	L mm	a mm	b mm	c mm	d mm	Mass g
505-680*	0-100 mm	±0,015 mm	0,01 mm, 1 mm/rev	●	180	40	21	16.5	16	151
505-671	0-150 mm	±0,03 mm	0,02 mm, 2 mm/rev	●	231	40	21	16.5	16	175
505-681	0-150 mm	±0,02 mm	0,01 mm, 1 mm/rev	●	231	40	21	16.5	16	176
505-672	0-200 mm	±0,03 mm	0,02 mm, 2 mm/rev	●	288	50	24.5	20	16	185
505-682	0-200 mm	±0,03 mm	0,01 mm, 1 mm/rev	●	288	50	24.5	20	16	186
505-673	0-300 mm	±0,04 mm	0,02 mm, 2 mm/rev	●	403	64	27.5	22	20	370

Inch

No.	Range	Accuracy	Graduation	Sliding titanium coated	L mm	a mm	b mm	c mm	d mm	Mass g
505-674*	0-4"	±0.001"	0.001", 0.1"/rev	●	180	40	21	16.5	16	150
505-675	0-6"	±0.001"	0.001", 0.1"/rev	●	231	40	21	16.5	16	175
505-717*	0-6"	±0.001"	0.001", 0.2"/rev	●	231	40	21	16.5	16	175
505-676*	0-8"	±0.002"	0.001", 0.1"/rev	●	288	50	24.5	20	16	185
505-719*	0-8"	±0.001"	0.001", 0.2"/rev	●	288	50	24.5	20	16	185
505-720	0-12"	±0.002"	0.001", 0.2"/rev	●	403	64	27.5	22	20	370

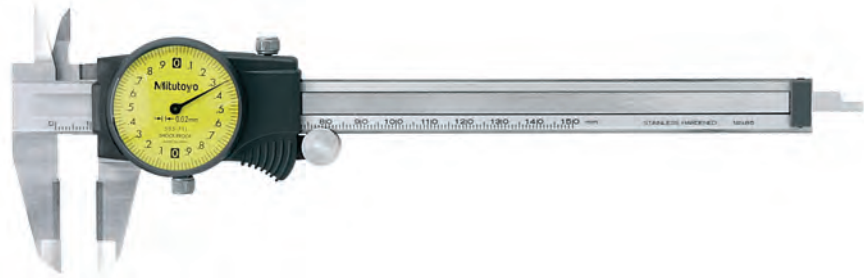


Carbide Dial Caliper

Series 505

Carbide-tipped jaws

- A titanium coating is applied to the sliding surfaces to enhance durability (except for 0-12" model).
- Can measure outside and inside diameter (OD and ID), depth, and steps.



505-711

Metric

Carbide-tipped jaws for outside measurement

No.	Range	Accuracy	Graduation	Sliding titanium coated	L mm	a mm	b mm	c mm	d mm	Mass g
505-707*	0-150 mm	±0,03 mm	0,02 mm, 2 mm/rev	●	231	40	21	16.5	16	175

Metric

Carbide-tipped jaws for outside/inside measurement

No.	Range	Accuracy	Graduation	Sliding titanium coated	L mm	a mm	b mm	c mm	d mm	Mass g
505-711	0-150 mm	±0,03 mm	0,02 mm, 2 mm/rev	●	231	40	21	16.5	16	175

Inch

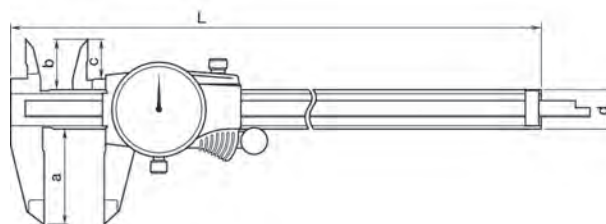
Carbide-tipped jaws for outside measurement

No.	Range	Accuracy	Graduation	Sliding titanium coated	L mm	a mm	b mm	c mm	d mm	Mass g
505-708*	0-6"	±0.001"	0.001", 0.1"/rev	●	231	40	21	16.5	16	175
505-709*	0-8"	±0.002"	0.001", 0.1"/rev	●	288	50	24.5	20	16	185
505-721*	0-12"	±0.002"	0.001", 0.2"/rev		403	64	27.5	22	20	370

Inch

Carbide-tipped jaws for outside/inside measurement

No.	Range	Accuracy	Graduation	Sliding titanium coated	L mm	a mm	b mm	c mm	d mm	Mass g
505-712*	0-6"	±0.001"	0.001", 0.1"/rev	●	231	40	21	16.5	16	175
505-713*	0-8"	±0.002"	0.001"; 0.1"/rev	●	228	50	24.5	20	16	185



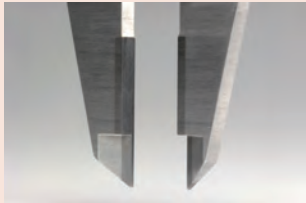
Functions	Series 505
Thumb roller	●
Depth bar	●
Locking screw	●

Specifications

Accuracy Refer to the list of specifications
Delivered In soft case

Optional accessories

No.	Description
050083-10	75 mm base for depth measurement for models up to 200 mm
050084-10	100 mm base for depth measurement for models up to 200 mm
050085-10	125 mm base for depth measurement for 300 mm models



Carbide-tipped jaws



Titanium coating

ABSOLUTE Digimatic Caliper with Nib Style and Standard jaws

Series 551

- With knife-shaped measuring surfaces for outside measurement and with rounded measuring surfaces for the measurement of inside dimensions.
- SPC data output.



551-301-10

Metric IP67

No.	Range	Inside measuring from	Accuracy	L mm	a mm	b mm	c mm	d mm	Mass g
551-301-10	0-200 mm	10 mm	±0,03 mm	290	60	8	30	16	196
551-331-10	0-300 mm	10 mm	±0,04 mm	403	90	10	40	20	420

Metric

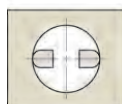
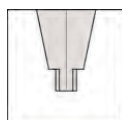
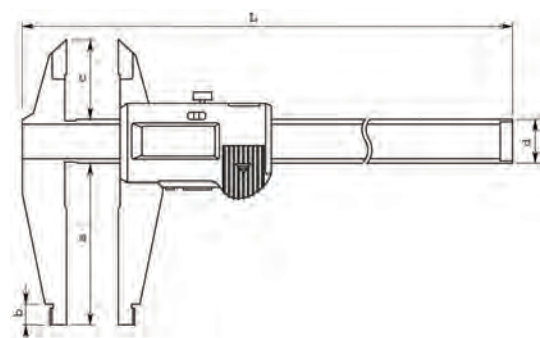
No.	Range	Inside measuring from	Accuracy	L mm	a mm	b mm	c mm	d mm	Mass g
551-204-10	0-500 mm	20 mm	±0,06 mm	680	150	18	56	25	1,060
551-206-10	0-750 mm	20 mm	±0,06 mm	963	150	18	56	25	1,410
551-207-10	0-1000 mm	20 mm	±0,07 mm	1,230	150	20	56	32	3,430

Inch/Metric IP67

No.	Range	Inside measuring from	Accuracy	L mm	a mm	b mm	c mm	d mm	Mass g
551-311-10*	0-200 mm/0-8"	10,16 mm/0.4"	±0,03 mm/0.0015"	290	60	8	30	16	196
551-341-10*	0-300 mm/ 0-12"	10,16 mm/0.4"	±0,04 mm/0.002"	403	90	10	40	20	420

Inch/Metric

No.	Range	Inside measuring from	Accuracy	L mm	a mm	b mm	c mm	d mm	Mass g
551-224-10	0-500 mm/0-20"	12,7 mm/0.5"	±0,06 mm/0.0025"	680	150	18	56	25	1,060
551-226-10*	0-750 mm/0-30"	12,7 mm/0.5"	±0,06 mm/0.0025"	963	150	18	56	25	1,410
551-227-10*	0-1000 mm/ 0-40"	25,4 mm/1"	±0,07 mm/0.003"	1,230	150	20	56	32	3,430



Round surface of jaws for measuring inside dimensions

Functions	Series 551			
	551-204-10 up to 551-227-10	551-301-10 551-311-10	551-331-10	551-341-10
Data output	●	●	●	●
ORIGIN	●	●	●	●
ZERO/ABS	●	●	●	●
OFFSET	●	●	●	●
PRESET	●	●	●	●
ON/OFF	●	●	●	●
Auto power on-off	●	●	●	●
Low voltage alarm	●	●	●	●

Specifications

Accuracy	Refer to the list of specifications (excluding quantizing error)
Resolution	0,01 mm or 0,01 mm/0.0005"
Max. slider speed	Unlimited
Delivered	In soft case, including 1 battery

Optional accessories

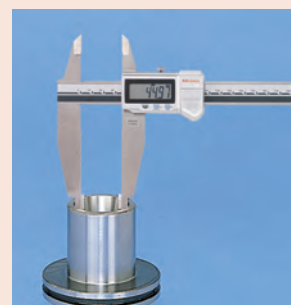
No.	Description
959149	Signal cable 1 m with data switch
959150	Signal cable 2 m with data switch
959143	Data-hold unit
02AZD790C	Signal cable for U-Wave with data switch
06ADV380C	Signal cable 2 m USB

Optional accessories for IP67

No.	Description
02AZD790A	Signal cable U-Wave
06ADV380A	Signal cable 2 m USB
05CZA624	Data cable 1 m with button
05CZA625	Data cable 2 m with button

Consumable spares

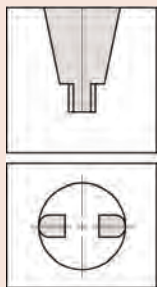
No.	Description
938882	Battery SR44



Vernier Caliper with Nib Style and Standard jaws

Specifications

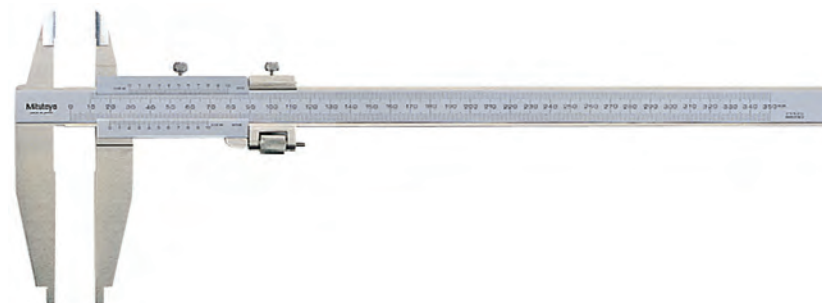
Accuracy Refer to the list of specifications
 Delivered In soft case



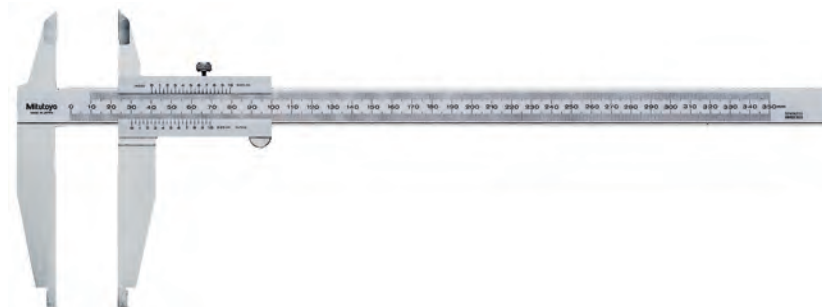
Round surface of jaws for measuring inside dimensions

Series 533

- Inside and outside measurements can be read directly from the upper and lower vernier scales.
- Beam and slide made of hardened stainless steel.
- Main and vernier scales chrome plated.
- Lapped measuring faces.



With fine adjustment



Without fine adjustment

Metric

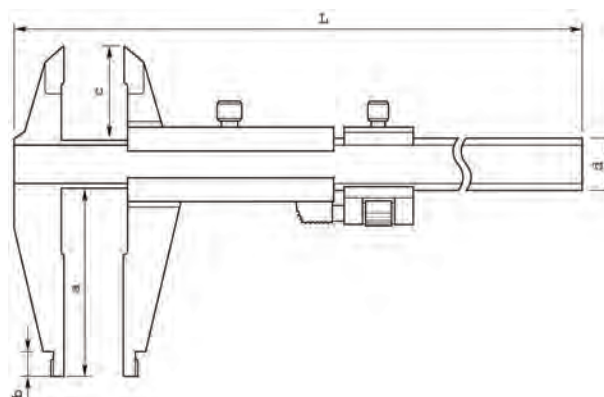
With fine adjustment

No.	Range	Inside measuring from	Accuracy	Graduation	L mm	a mm	b mm	c mm	d mm	Mass g
533-504	0-500 mm	20 mm	±0,05 mm	0,02 mm	680	150	15	56	25	1,250
533-505	0-750 mm	20 mm	±0,07 mm	0,02 mm	963	150	15	56	25	1,550
533-506	0-1000 mm	20 mm	±0,08 mm	0,02 mm	1,230	150	20	56	32	3,450

Metric

Without fine adjustment

No.	Range	Inside measuring from	Accuracy	Graduation	L mm	a mm	b mm	c mm	d mm	Mass g
533-404	0-500 mm	20 mm	±0,10 mm	0,05 mm	680	150	15	56	25	1,200
533-405	0-750 mm	20 mm	±0,12 mm	0,05 mm	963	150	15	56	25	1,500
533-406	0-1000 mm	20 mm	±0,15 mm	0,05 mm	1,230	150	20	56	32	3,300



ABSOLUTE Digimatic Caliper with Nib Style Jaws

Series 550

- With rounded measuring surfaces for the measurement of inside dimensions.
- SPC data output.



550-301-10

Metric IP67

No.	Range	Inside measuring from	Accuracy	L mm	a mm	b mm	c mm	Mass g
550-301-10	0-200 mm	10 mm	±0,03 mm	290	60	8	16	186
550-331-10	0-300 mm	10 mm	±0,04 mm	403	75	12	20	380

Metric

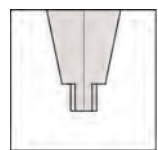
No.	Range	Inside measuring from	Accuracy	L mm	a mm	b mm	c mm	Mass g
550-203-10	0-450 mm	20 mm	±0,05 mm	630	100	18	25	1,110
550-205-10	0-600 mm	20 mm	±0,05 mm	780	100	18	25	1,290
550-207-10	0-1000 mm	20 mm	±0,07 mm	1,240	140	24	32	3,350

Inch/Metric IP67

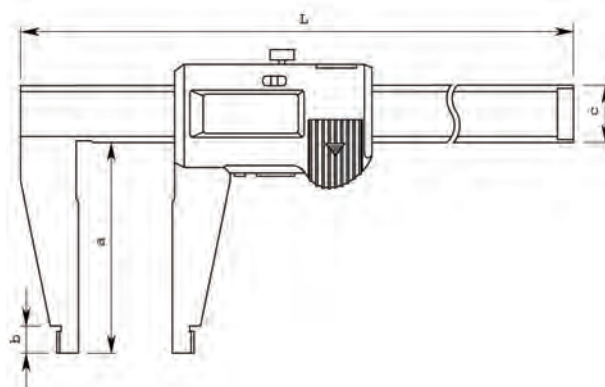
No.	Range	Inside measuring from	Accuracy	L mm	a mm	b mm	c mm	Mass g
550-311-10	0-200 mm/0-8"	10,16 mm/0.4"	±0,03 mm/0.0015"	290	60	8	16	186
550-341-10	0-300 mm/0-12"	10,16 mm/0.4"	±0,04 mm/0.002"	403	75	12	20	380

Inch/Metric

No.	Range	Inside measuring from	Accuracy	L mm	a mm	b mm	c mm	Mass g
550-223-10	0-450 mm/0-18"	12,7 mm/0.5"	±0,05 mm/0.002"	630	100	18	25	1,110
550-225-10	0-600 mm/0-24"	12,7 mm/0.5"	±0,05 mm/0.002"	780	100	18	25	1,290
550-227-10	0-1000 mm/0-40"	25,4 mm/1"	±0,07 mm/0.003"	1,240	140	24	32	3,350



Rounded outside measuring surfaces for measuring inside dimensions



Functions	Series 550			
	550-203-10 up to 550-227-10	550-301-10 550-311-10	550-331-10	550-341-10
Data output	●	●	●	●
ORIGIN	●	●	●	●
ZERO/ABS	●			
OFFSET				●
PRESET				●
ON/OFF	●			
Auto power on-off		●	●	●
Low voltage alarm	●	●	●	●

Specifications

Accuracy	Refer to the list of specifications (excluding quantizing error)
Resolution	0,01 mm or 0,01 mm/0.0005"
Max. slider speed	Unlimited
Delivered	In soft case, including 1 battery

Optional accessories

No.	Description
959149	Signal cable 1 m with data switch
959150	Signal cable 2 m with data switch
959143	Data-hold unit
02AZD790C	Signal cable for U-Wave with data switch
06ADV380C	Signal cable 2 m USB

Optional accessories for IP67

No.	Description
02AZD790A	Signal cable U-Wave
06ADV380A	Signal cable 2 m USB
05CZA624	Data cable 1 m with button
05CZA625	Data cable 2 m with button

Consumable spares

No.	Description
938882	Battery SR44



Metric Workshop Vernier Caliper

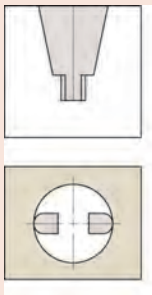
Series 160

With or without fine adjustment

- With top offset vernier scale to enable direct reading of inside dimensions without having to add the jaw blade width.
- Main scale and vernier scale satin-chrome finished for high readability.
- Caliper and slide made of hardened stainless steel.
- Raised sliding surfaces.

Specifications

Accuracy Refer to the list of specifications
 Note Up to 300 mm: parallax-free design



Rounded outside measuring surfaces for measuring inside dimensions



160-101



160-127

Metric

With fine adjustment

No.	Range	Inside measuring from	Accuracy	Graduation	L mm	a mm	b mm	c mm
160-127	0-300 mm	10 mm	±0,04 mm	0,02 mm	445	95	25	12
160-128	0-450 mm	20 mm	±0,05 mm	0,02 mm	630	125	100	18
160-101	0-600 mm	20 mm	±0,05 mm	0,02 mm	780	125	100	18
160-104	0-1000 mm	20 mm	±0,07 mm	0,02 mm	1,240	172	140	24
160-110	0-1500 mm	20 mm	±0,10 mm	0,02 mm	1,800	212	180	30
160-113	0-2000 mm	20 mm	±0,12 mm	0,02 mm	2,300	220	180	30

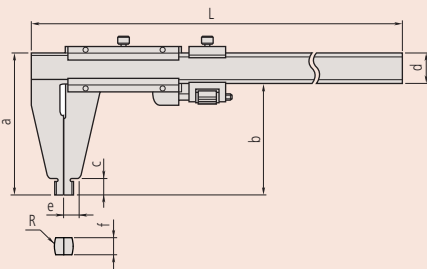
No.	d mm	e mm	f mm	R mm	Mass g
160-127	20	10	3.8	5	450
160-128	25	14.8	6	10	1,200
160-101	25	14.8	6	10	1,400
160-104	32	17	10	10	3,500
160-110	32	19	10	10	4,850
160-113	40	23	12	10	10,300

Metric

Without fine adjustment

No.	Range	Inside measuring from	Accuracy	Graduation	L mm	a mm	b mm	c mm
160-130*	0-450 mm	20 mm	±0,10 mm	0,05 mm	630	125	100	18
160-131*	0-600 mm	20 mm	±0,10 mm	0,05 mm	780	125	100	18
160-132*	0-1000 mm	20 mm	±0,15 mm	0,05 mm	1,240	172	140	24
160-133*	0-1500 mm	20 mm	±0,22 mm	0,05 mm	1,800	212	180	30
160-134*	0-2000 mm	20 mm	±0,28 mm	0,05 mm	2,300	220	180	30

No.	d mm	e mm	f mm	R mm	Mass g
160-130*	25	14.8	6	10	1,100
160-131*	25	14.8	6	10	1,300
160-132*	32	17	10	10	3,300
160-133*	32	19	10	10	4,700
160-134*	40	23	12	10	9,900

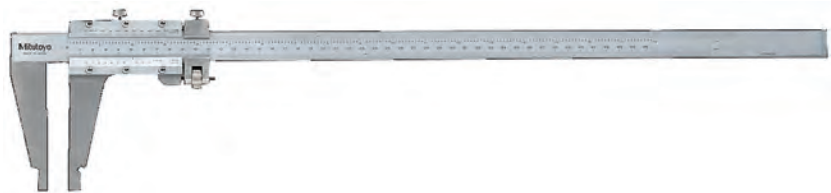


Inch/Metric Workshop Vernier Caliper

Series 160

With fine adjustment

- With top offset vernier scale to enable direct reading of inside dimensions without having to add the jaw blade width.
- Main scale and vernier scale satin chrome finished for high readability.
- Caliper and slide made of hardened stainless steel.
- With rounded measuring surfaces for measuring inside dimensions.
- Raised sliding surfaces.



160-151

Metric/Inch

No.	Range	Inside measuring from	Accuracy	Graduation	L mm	a mm	b mm
160-150	0-300 mm/0-12"	10 mm/0.394"	±0,04 mm/0.0015"	0,02 mm/0.001"	445	95	25
160-151	0-450 mm/0-18"	20 mm/0.787"	±0,05 mm/0.002"	0,02 mm/0.001"	630	125	100
160-153	0-600 mm/0-24"	20 mm/0.787"	±0,05 mm/0.002"	0,02 mm/0.001"	780	125	100
160-155	0-1000 mm/0-40"	20 mm/0.787"	±0,07 mm/0.003"	0,02 mm/0.001"	1,240	172	140
160-157	0-1500 mm/0-60"	20 mm/0.787"	±0,10 mm/0.004"	0,02 mm/0.001"	1,800	212	180
160-159	0-2000 mm/0-80"	20 mm/0.787"	±0,12 mm/0.005"	0,02 mm/0.001"	2,300	220	180
160-112	0-1500 mm/0-60"	25,4 mm/1"	±0,10 mm/0.004"	0,02 mm/0.001"	1,800	212	180

No.	c mm	d mm	e mm	f mm	R mm	Mass g
160-150	12	20	10	3.8	5	450
160-151	18	25	14.8	6	10	1,200
160-153	18	25	14.8	6	10	1,400
160-155	24	32	17	10	10	3,500
160-157	30	32	19	10	10	4,850
160-159	30	40	23	12	10	10,200
160-112	30	32	19	10	10	4,850

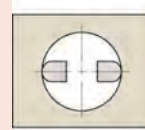
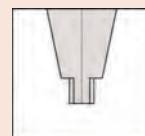
Inch/Metric

No.	Range	Inside measuring from	Accuracy	Graduation	L mm	a mm	b mm
160-125	0-300 mm/0-12"	7,62 mm/0.3"	±0,04 mm/0.0015"	0,02 mm/0.001"	445	95	25
160-119	0-450 mm/0-18"	12,7 mm/0.5"	±0,05 mm/0.002"	0,02 mm/0.001"	630	125	100
160-103	0-600 mm/0-24"	12,7 mm/0.5"	±0,05 mm/0.002"	0,02 mm/0.001"	780	125	100
160-106	0-1000 mm/0-40"	25,4 mm/1"	±0,07 mm/0.003"	0,02 mm/0.001"	1,240	172	140
160-115	0-2000 mm/0-80"	25,4 mm/1"	±0,12 mm/0.005"	0,02 mm/0.001"	2,300	220	180

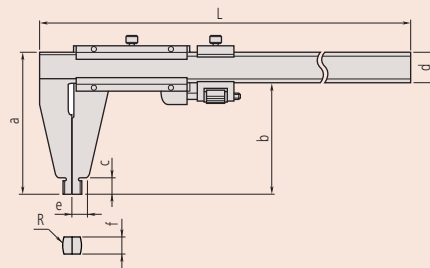
No.	c mm	d mm	e mm	f mm	R mm	Mass g
160-125	12	20	10	3.8	5	450
160-119	18	25	14.8	6	10	1,200
160-103	18	25	14.8	6	10	1,400
160-106	24	32	17	10	10	3,500
160-115	30	40	23	12	10	10,200

Specifications

Accuracy Refer to the list of specifications
 Note Up to 300 mm/12": parallax-free design



Rounded outside measuring surfaces for measuring inside dimensions



Inch Workshop Vernier Caliper

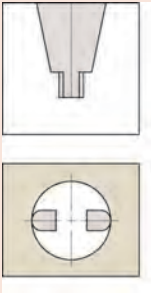
Series 160

With fine adjustment

- With top offset vernier scale to enable direct reading of inside dimensions without having to add the jaw blade width.
- Main scale and vernier scale satin-chrome finished for high readability.
- Caliper and slide made of hardened stainless steel.
- With rounded measuring surfaces for measuring inside dimensions.
- Raised sliding surfaces.

Specifications

Accuracy Refer to the list of specifications
 Graduation 0.001"
 Note Up to 12" : parallax-free design



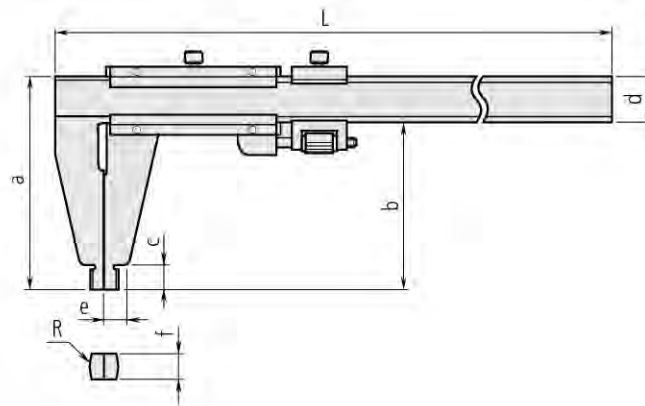
Rounded outside measuring surfaces for measuring inside dimensions



Inch

No.	Range	Inside measuring from	Accuracy	L mm	a mm	b mm	c mm	d mm
160-124*	0-12"	0.3"	±0.0015"	445	95	25	12	20
160-116*	0-18"	0.5"	±0.002"	630	125	100	18	25
160-102*	0-24"	0.5"	±0.002"	780	125	100	18	25
160-105*	0-40"	1"	±0.003"	1,240	172	140	24	32
160-111*	0-60"	1"	±0.004"	1,800	212	180	30	32
160-114*	0-80"	1"	±0.005"	2,300	220	180	30	40

No.	e mm	f mm	R mm	Mass g
160-124*	10	3.8	5	450
160-116*	14.8	6	10	1,200
160-102*	14.8	6	10	1,400
160-105*	17	10	10	3,500
160-111*	19	10	10	4,850
160-114*	23	12	10	10,200



Workshop Vernier Caliper with Long jaws

Series 534

With or without fine adjustment

- Long jaws for measuring hard-to-reach workpiece features.
- Main scale and vernier scale satin-chrome finished for high readability.
- Caliper and slide made of hardened stainless steel.
- Raised sliding surfaces.



534-110

Metric Without fine adjustment

No.	Range	Inside measuring from	Accuracy	Graduation	L mm	a mm	b mm	c mm	d mm	e mm
534-109*	0-300 mm	10 mm	±0,07 mm	0,05 mm	445	110	90	12	20	7
534-110*	0-500 mm	20 mm	±0,13 mm	0,05 mm	682	225	200	18,5	25	12

No.	f mm	R mm	Mass g
534-109*	3,8	5	400
534-110*	6	10	1,400

Metric With fine adjustment

No.	Range	Inside measuring from	Accuracy	Graduation	L mm	a mm	b mm	c mm	d mm	e mm
534-113	0-300 mm	10 mm	±0,04 mm	0,02 mm	445	110	90	12	20	7
534-114	0-500 mm	20 mm	±0,06 mm	0,02 mm	682	225	200	18,5	25	12
534-115	0-750 mm	20 mm	±0,08 mm	0,02 mm	995	232	200	18,5	32	12
534-116	0-1000 mm	20 mm	±0,10 mm	0,02 mm	1,230	232	200	18,5	32	12

No.	f mm	R mm	Mass g
534-113	3,8	5	460
534-114	6	10	1,500
534-115	8	10	2,900
534-116	8	10	3,500

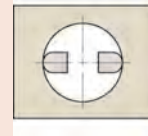
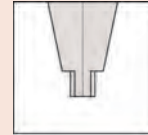
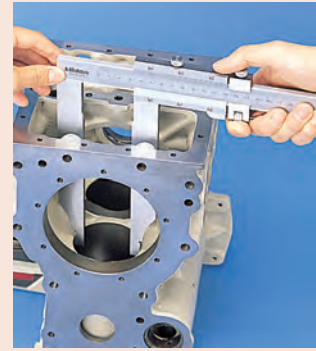
Inch With fine adjustment

No.	Range	Inside measuring from	Accuracy	Graduation	L mm	a mm	b mm	c mm	d mm	e mm
534-117*	0-12"	0.3"	±0.002"	0.001"	445	110	90	12	20	7
534-118*	0-20"	0.8"	±0.003"	0.001"	682	225	200	18.5	25	12
534-119*	0-30"	0.8"	±0.004"	0.001"	995	232	200	18.5	32	12
534-120*	0-40"	0.8"	±0.004"	0.001"	1,230	232	200	18.5	32	12

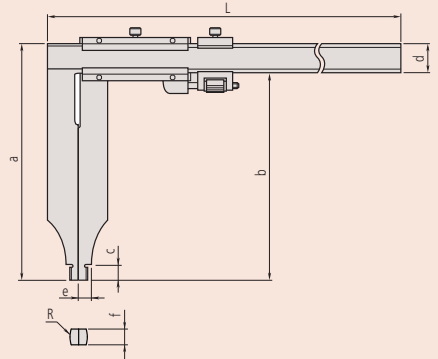
No.	f mm	R mm	Mass g
534-117*	3,8	5	1,100
534-118*	6	10	3,500
534-119*	8	10	8,500
534-120*	8	10	10,000

Specifications

Accuracy Refer to the list of specifications



Rounded outside measuring surfaces for measuring inside dimensions



Metric/Inch Workshop Vernier Caliper with Long jaws

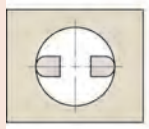
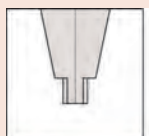
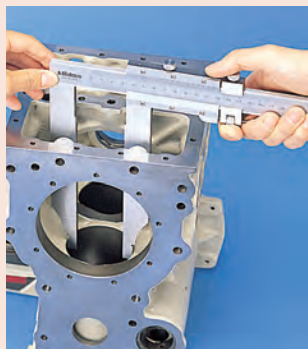
Series 534

With fine adjustment

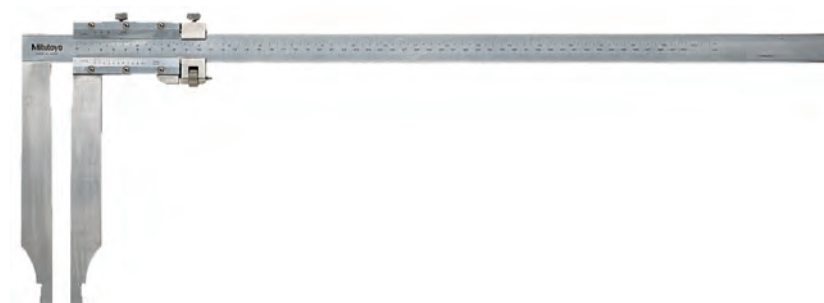
- Long jaws for measuring hard-to-reach workpiece features.
- Main scale and vernier scale satin-chrome finished for high readability.
- Caliper and slide made of hardened stainless steel.
- Raised sliding surfaces.

Specifications

Accuracy Refer to the list of specifications



Rounded outside measuring surfaces for measuring inside dimensions

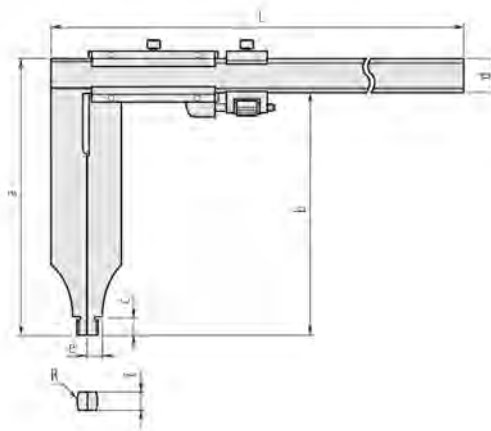


534-102

Metric/Inch

No.	Range	Inside measuring from	Accuracy	Graduation	L mm	a mm	b mm
534-101	0-300 mm/0-12"	10 mm/0.394"	±0,07 mm/0.0027"	0,05 mm-1/128"	445	110	90
534-105	0-300 mm/0-12"	10 mm/0.394"	±0,04 mm/0.0015"	0,02 mm/0.001"	445	110	90
534-102	0-500 mm/0-20"	20 mm/0.787"	±0,13 mm/0.005"	0,05 mm-1/128"	682	225	200
534-106	0-500 mm/0-20"	20 mm/0.787"	±0,06 mm/0.0025"	0,02 mm/0.001"	682	225	200
534-103	0-750 mm/0-30"	20 mm/0.787"	±0,16 mm/0.0064"	0,05 mm-1/128"	995	232	200
534-107	0-750 mm/0-30"	20 mm/0.787"	±0,08 mm/0.003"	0,02 mm/0.001"	995	232	200
534-104	0-1000 mm/0-40"	20 mm/0.787"	±0,20 mm/0.008"	0,05 mm-1/128"	1,230	232	200
534-108	0-1000 mm/0-40"	20 mm/0.787"	±0,10 mm/0.004"	0,02 mm/0.001"	1,230	232	200

No.	c mm	d mm	e mm	f mm	R mm	Mass g
534-101	12	20	7	3.8	5	400
534-105	12	20	7	3.8	5	400
534-102	18.5	25	12	6	10	1,500
534-106	18.5	25	12	6	10	1,500
534-103	18.5	32	12	8	10	2,900
534-107	18.5	32	12	8	10	2,900
534-104	18.5	32	12	8	10	3,500
534-108	18.5	32	12	8	10	3,500



ABSOLUTE Digimatic Carbon Fibre Caliper IP66

Series 552

Standard model with steel jaws

- The ultra-lightweight design (with carbon fibre reinforced material) reduces total weight by up to 50%.
- Direct readout of inside measurements from the LCD (Offset value can be set easily by using the Offset button).
- Preset function for setting a desired starting point.
- SPC data output.



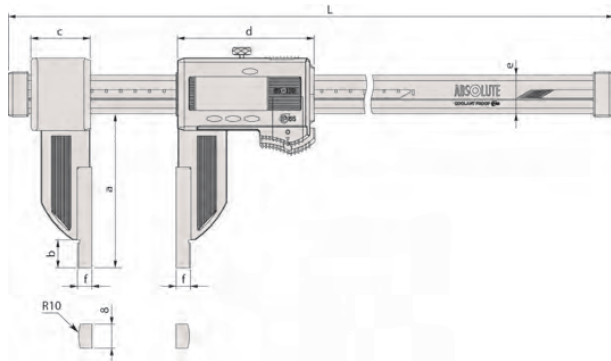
552-304-10

Metric

No.	Range	Inside measuring from	Accuracy	L mm	a mm	b mm	c mm	d mm	e mm	f mm	Mass g
552-302-10	0-450 mm	20 mm	±0,04 mm	640	100	18	41.2	91.8	25	10	715
552-303-10	0-600 mm	20 mm	±0,04 mm	790	100	18	41.2	91.8	25	10	790
552-304-10	0-1000 mm	20 mm	±0,05 mm	1,230	150	24	62.8	113.8	32	10	1,760
552-305-10	0-1500 mm	20 mm	±0,09 mm	1,740	150	24	62.8	113.8	32	10	2,160
552-306-10	0-2000 mm	20 mm	±0,12 mm	2,250	150	24	62.8	113.8	32	10	2,560

Inch/Metric

No.	Range	Inside measuring from	Accuracy	L mm	a mm	b mm	c mm	d mm	e mm	f "	Mass g
552-312-10	0-450 mm/ 0-18"	12,7 mm/0.5"	±0,04 mm/ 0.002"	640	100	18	41.2	91.8	25	0.25	715
552-313-10	0-600 mm/ 0-24"	12,7 mm/0.5"	±0,04 mm/ 0.002"	790	100	18	41.2	91.8	25	0.25	790
552-314-10	0-1000 mm/ 0-40"	25,4 mm/1"	±0,05 mm/ 0.002"	1,230	150	24	62.8	113.8	32	0.5	1,760
552-315-10	0-1500 mm/ 0-60"	25,4 mm/1"	±0,09 mm/ 0.004"	1,740	150	24	62.8	113.8	32	0.5	2,160
552-316-10*	0-2000 mm/ 0-80"	25,4 mm/1"	±0,12 mm/ 0.005"	2,250	150	24	62.8	113.8	32	0.5	2,560



Functions	Series 552
Data output	●
ORIGIN	●
ZERO/ABS	●
OFFSET	●
PRESET	●
Auto power on-off	●
DATA/HOLD	●
Low voltage alarm	●

Specifications

Accuracy	Refer to the list of specifications (excluding quantizing error)
Resolution	0,01 mm or 0,01 mm/0.0005"
Max. slider speed	Unlimited
Delivered	In soft case, including 1 battery

Optional accessories

No.	Description
06ADV380A	Signal cable 2 m USB
02AZD790A	Signal cable U-Wave
05CZA624	Data cable 1 m with button
05CZA625	Data cable 2 m with button
914053	Holder for special measurement jaws up to a measuring range of 600 mm
914054	Holder for special measurement jaws up to a measuring range of 1000 mm
914055	Pair of jaws for measuring hole centre-to-centre dimensions (over 10 mm)
914057	Pair of jaws for measuring inside groove diameter (over 50 mm)

Consumable spares

No.	Description
938882	Battery SR44

Optional accessories for Inch

No.	Description
914056	Attachments for hole distance measurement (over 0.4")
914058	Attachments for hole distance measurement (over 2")

ABSOLUTE Digimatic Carbon Fibre Caliper IP66 with Ceramic jaws



Series 552

Ceramic jaws

- The ultra-lightweight design (with carbon fibre reinforced material) reduces total weight by up to 50%.
- Direct readout of inside measurements from the LCD (Offset value can be set easily by using the Offset button).
- Preset function for setting a desired starting point.
- SPC data output.

Functions	Series 552
Data output	●
ORIGIN	●
ZERO/ABS	●
OFFSET	●
PRESET	●
Auto power on-off	●
DATA/HOLD	●
Low voltage alarm	●

Specifications

Accuracy	Refer to the list of specifications (excluding quantizing error)
Resolution	0,01 mm or 0,01 mm/0.0005"
Max. slider speed	Unlimited
Delivered	In soft case, including 1 battery

Optional accessories

No.	Description
06ADV380A	Signal cable 2 m USB
02AZD790A	Signal cable U-Wave
05CZA624	Data cable 1 m with button
05CZA625	Data cable 2 m with button
914053	Holders for special measurement jaws up to a measuring range of 600 mm
914055	Pair of jaws for measuring hole centre-to-centre dimensions (over 10 mm)
914057	Pair of jaws for measuring inside groove diameter (over 50 mm)

Consumable spares

No.	Description
938882	Battery SR44

Optional accessories for Inch

No.	Description
914056	Attachments for hole distance measurement (over 0.4")
914058	Attachments for hole distance measurement (over 2")



914055 (optional)



914057 (optional)



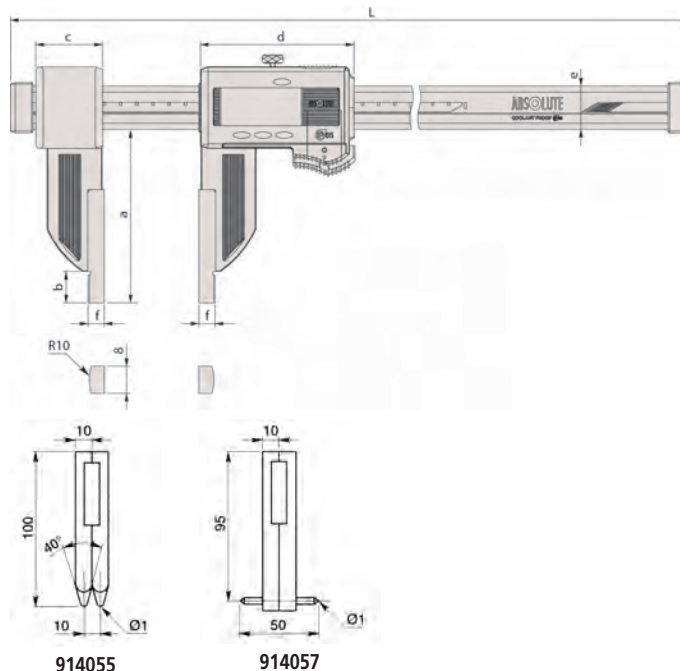
552-155-10

Metric

No.	Range	Inside measuring from	Accuracy	L mm	a mm	b mm	c mm	d mm	e mm	f mm	Mass g
552-155-10	0-450 mm	20 mm	±0,04 mm	640	100	18	41.2	91.8	25	10	715
552-156-10	0-600 mm	20 mm	±0,04 mm	790	100	18	41.2	91.8	25	10	790

Inch/Metric

No.	Range	Inside measuring from	Accuracy	L mm	a mm	b mm	c mm	d mm	e mm	f "	Mass g
552-165-10*	0-450 mm/ 0-18"	12,7 mm/0.5"	±0,04 mm/ 0.002"	640	100	18	41.2	91.8	25	0.25	715
552-166-10*	0-600 mm/ 0-24"	12,7 mm/0.5"	±0,04 mm/ 0.002"	790	100	18	41.2	91.8	25	0.25	790



914055

914057

ABSOLUTE Digimatic Carbon Fibre Caliper IP66 with extra long jaws

Series 552

- The ultra-lightweight design (with carbon fibre reinforced material) reduces total weight by up to 50%.
- Direct readout of inside measurements from the LCD (Offset value can be set easily by using the Offset button).
- Preset function for setting a desired starting point.
- SPC data output.



552-151-10

Metric

No.	Range	Inside measuring from	Accuracy	a mm	c mm	d mm	e mm	f mm	g mm	h mm	Mass g
552-150-10	0-450 mm	20 mm	±0,06 mm	680	89	91.8	65.5	173	25	8	1,215
552-151-10	0-600 mm	20 mm	±0,06 mm	830	89	91.8	65.5	173	25	8	1,290
552-152-10	0-1000 mm	20 mm	±0,07 mm	1,280	110	113.8	73	170.5	32	12	2,090
552-153-10	0-1500 mm	20 mm	±0,11 mm	1,790	110	113.8	73	170.5	32	12	2,490
552-154-10	0-2000 mm	20 mm	±0,14 mm	2,300	110	113.8	73	170.5	32	12	2,890

Inch/Metric

No.	Range	Inside measuring from	Accuracy	a mm	c mm	d mm	e mm	f mm	g mm	h mm	Mass g
552-160-10	0-450 mm/ 0-18"	12,7 mm/ 0.5"	±0,06 mm/ 0.0025"	680	89	91.8	65.5	173	25	8	1,215
552-161-10*	0-600 mm/ 0-24"	12,7 mm/ 0.5"	±0,06 mm/ 0.0025"	830	89	91.8	65.5	173	25	8	1,290
552-162-10*	0-1000 mm/ 0-40"	25,4 mm/1"	±0,07 mm/ 0.003"	1,280	110	113.8	73	170.5	32	12	2,090
552-163-10*	0-1500 mm/ 0-60"	25,4 mm/1"	±0,11 mm/ 0.0045"	1,790	110	113.8	73	170.5	32	12	2,490
552-164-10*	0-2000 mm/ 0-80"	25,4 mm/1"	±0,14 mm/ 0.0055"	2,300	110	113.8	73	170.5	32	12	2,890

Functions	Series 552
Data output	●
ORIGIN	●
ZERO/ABS	●
OFFSET	●
PRESET	●
Auto power on-off	●
DATA/HOLD	●
Low voltage alarm	●

Specifications

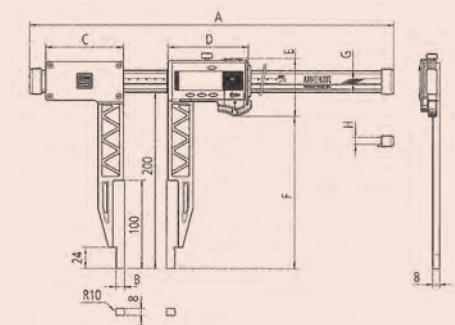
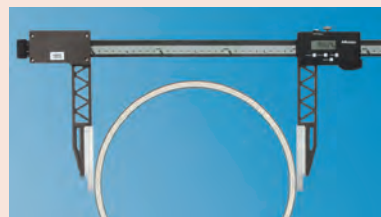
Accuracy	Refer to the list of specifications (excluding quantizing error)
Resolution	0,01 mm or 0,01 mm/0.0005"
Max. slider speed	Unlimited
Delivered	In soft case, including 1 battery

Optional accessories

No.	Description
06ADV380A	Signal cable 2 m USB
02AZD790A	Signal cable U-Wave
05CZA624	Data cable 1 m with button
05CZA625	Data cable 2 m with button

Consumable spares

No.	Description
938882	Battery SR44



B = 10 mm

ABSOLUTE Digimatic Carbon Fibre Caliper IP66 with Interchangeable jaws



Series 552

Optional interchangeable jaws

- The ultra-lightweight design (with carbon fibre reinforced material) reduces total weight by up to 50%.
- Direct readout of inside measurements from the LCD (Offset value can be set easily by using the Offset button).
- Preset function for setting a desired starting point.
- SPC data output.

Functions	Series 552
Data output	●
ORIGIN	●
ZERO/ABS	●
OFFSET	●
PRESET	●
Auto power on-off	●
DATA/HOLD	●
Low voltage alarm	●

Specifications

Accuracy	Refer to the list of specifications (excluding quantizing error)
Resolution	0,01 mm or 0,01 mm/0.0005"
Max. slider speed	Unlimited
Delivered	In soft case, including 1 battery

Standard accessories

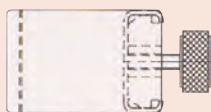
No.	Description
05GZA033	Scriber clamp (2 pieces)

Optional accessories

No.	Description
06ADV380A	Signal cable 2 m USB
02AZD790A	Signal cable U-Wave
07CZA056	Exchangeable measuring tips
05CZA624	Data cable 1 m with button
05CZA625	Data cable 2 m with button

Consumable spares

No.	Description
938882	Battery SR44



05GZA033



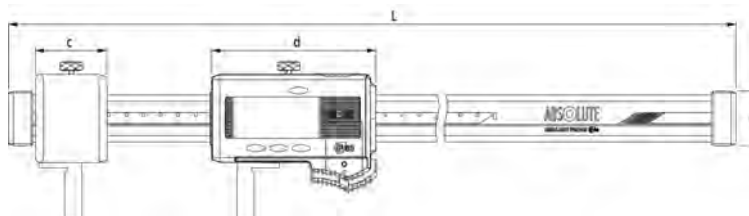
552-182-10

Metric

No.	Range	Accuracy	L mm	c mm	d mm	e mm	Mass g
552-181-10	0-450 mm	±0,04 mm	640	41.2	91.8	25	650
552-182-10	0-600 mm	±0,04 mm	790	41.2	91.8	25	725
552-183-10	0-1000 mm	±0,05 mm	1,230	62.8	113.8	32	1,480
552-184-10	0-1500 mm	±0,09 mm	1,740	62.8	113.8	32	1,880
552-185-10	0-2000 mm	±0,12 mm	2,250	62.8	113.8	32	2,280

Inch/Metric

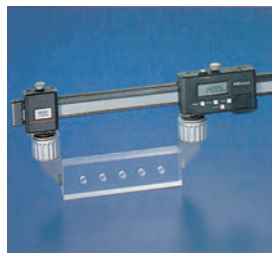
No.	Range	Accuracy	L mm	c mm	d mm	e mm	Mass g
552-191-10	0-450 mm/0-18"	±0,04 mm/0.002"	640	41.2	91.8	25	650
552-192-10*	0-600 mm/0-24"	±0,04 mm/0.002"	790	41.2	91.8	25	725
552-193-10*	0-1000 mm/0-40"	±0,05 mm/0.002"	1,230	62.8	113.8	32	1,480
552-194-10*	0-1500 mm/0-60"	±0,09 mm/0.004"	1,740	62.8	113.8	32	1,880
552-195-10*	0-2000 mm/0-80"	±0,12 mm/0.005"	2,250	62.8	113.8	32	2,280



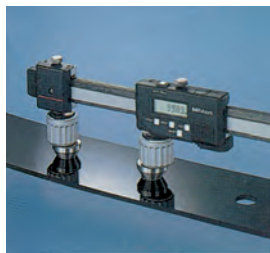
ABSOLUTE Digimatic Carbon Fibre Caliper IP66 with Interchangeable jaws

Series 552

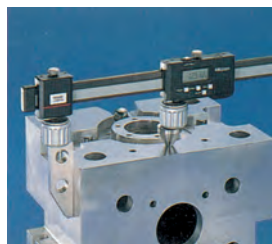
Interchangeable jaws (optional)



Standard type



Centreline type



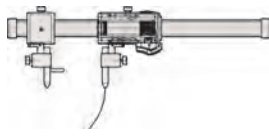
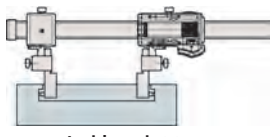
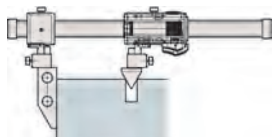
Surface plate type



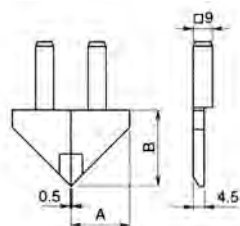
Inside point type



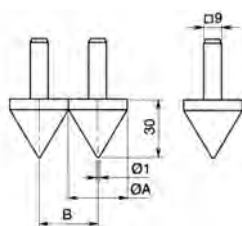
Scriber type



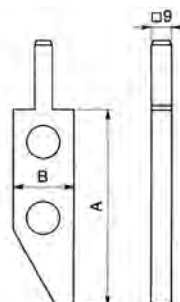
No.	Type	A	B	Mass g
07CZA056	Standard (pair)	28 mm	30 mm	90.6
07CZA057	Centreline (pair)	30 mm	30 mm	119.6
07CZA060*	Centreline (pair)	1.2"	1.2"	119.6
07CZA044	Surface plate (1 piece)	90 mm/3.5"	28 mm/1.1"	191.3
07CZA058	Inside point (pair)	25 mm	50 mm	98.8
07CZA059*	Inside point (pair)	1"	2"	98.8
07CZA055	Scriber (pair)	8 mm	30 mm	63.2
07CZA061*	Scriber (pair)	0.31"	1.2"	63.2



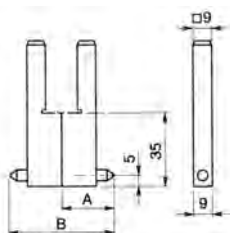
Standard type



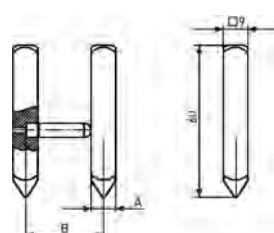
Centreline type



Surface plate type



Inside point type



Scriber type

Carbide Scribing Caliper

Series 573

ABSOLUTE Digimatic Caliper

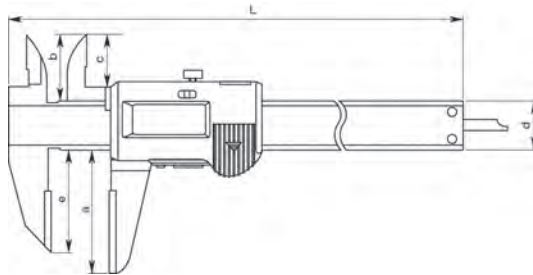
- The carbide-tipped jaws facilitate fine scribing on workpiece.
- With depth bar.
- SPC data output.



573-676

Metric

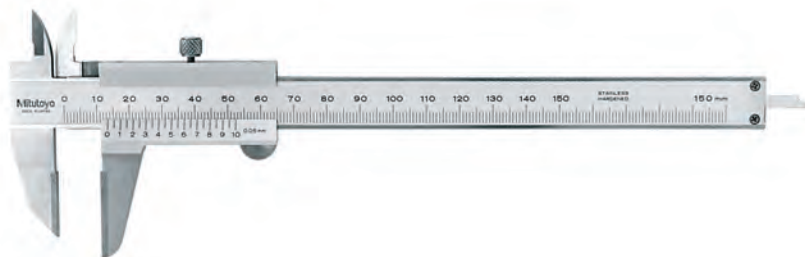
No.	Range	Accuracy	L mm	a mm	b mm	c mm	d mm	e mm	Mass g
573-676	0-150 mm	±0,02 mm	229	46	21.5	17	16	33	166
573-677	0-200 mm	±0,02 mm	288	50	25	20.5	16	43	196
573-679	0-300 mm	±0,03 mm	403	64	27.5	22	20	54	400



Series 536

Vernier Caliper

- The carbide-tipped jaws facilitate fine scribing on workpiece.
- With depth bar.



536-221

Metric

No.	Range	Accuracy	L mm	a mm	b mm	c mm	d mm	e mm	Mass g
536-221	0-150 mm	±0,05 mm	229	40	21.5	17	16	33	150
536-222	0-200 mm	±0,05 mm	288	50	25	20.5	16	43	180
536-223	0-300 mm	±0,08 mm	403	64	27.5	22	20	54	400

Functions	Series 573
Data output	●
ORIGIN	●
Auto power on-off	●
Low voltage alarm	●

Specifications

Accuracy	Refer to the list of specifications (excluding quantizing error)
Resolution	0,01 mm or 0,01 mm/0.0005"
Max. slider speed	Unlimited
Delivered	In soft case, including 1 battery

Optional accessories

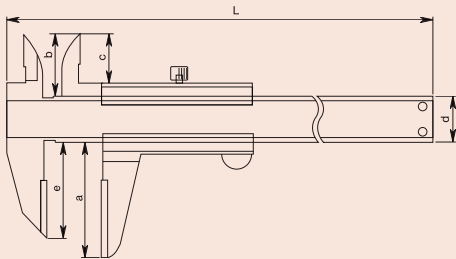
No.	Description
02AZD790A	Signal cable U-Wave
06ADV380A	Signal cable 2 m USB
05CZA624	Data cable 1 m with button
05CZA625	Data cable 2 m with button

Consumable spares

No.	Description
938882	Battery SR44

Specifications

Accuracy	Refer to the list of specifications
Graduation	0,05 mm
Delivered	In soft case



ABSOLUTE Digimatic Offset Caliper

Series 573

- The beam-mounted jaw can be adjusted to facilitate measurement of stepped sections and hard-to-reach workpiece features.
- With depth bar.
- SPC data output.



573-601

Metric With thumb roller

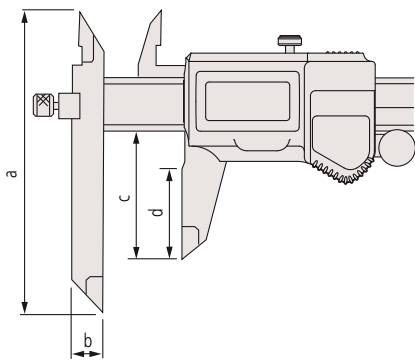
No.	Range	Accuracy	a mm	b mm	c mm	d mm	Mass g
573-601*	0-150 mm	±0,02 mm	95	10	40	30	168
573-604*	0-300 mm	±0,03 mm	135	15	64	51	350

Metric Without thumb roller

No.	Range	Accuracy	a mm	b mm	c mm	d mm	Mass g
573-611	0-150 mm	±0,02 mm	95	10	40	30	168
573-612	0-200 mm	±0,02 mm	95	10	50	38.5	198
573-614	0-300 mm	±0,03 mm	135	15	64	51	350

Inch/Metric With thumb roller

No.	Range	Accuracy	a mm	b mm	c mm	d mm	Mass g
573-701	0-150 mm/0-6"	±0,03 mm/0.001"	95	10	40	30	168
573-704*	0-300 mm/0-12"	±0,04 mm/0.0015"	135	15	64	51	350



Functions	Series 573
Data output	●
ORIGIN	●
Auto power on-off	●
Low voltage alarm	●

Specifications

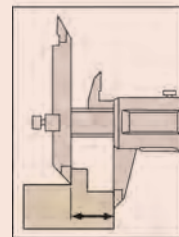
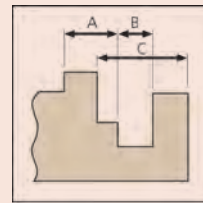
Accuracy	Refer to the list of specifications (excluding quantizing error)
Resolution	0,01 mm or 0,01 mm/0.0005"
Max. slider speed	Unlimited
Delivered	In soft case, including 1 battery

Optional accessories

No.	Description
02AZD790A	Signal cable U-Wave
06ADV380A	Signal cable 2 m USB
05CZA624	Data cable 1 m with button
05CZA625	Data cable 2 m with button

Consumable spares

No.	Description
938882	Battery SR44



Vernier Offset Centreline Caliper

Series 536

- Specially designed for hole centre-to-centre measurements in the same plane, or between offset planes.
- Can also measure from an edge to a hole centre.
- Hole diameter should be in the range 1,5 mm-10 mm (0.06"-0.4").



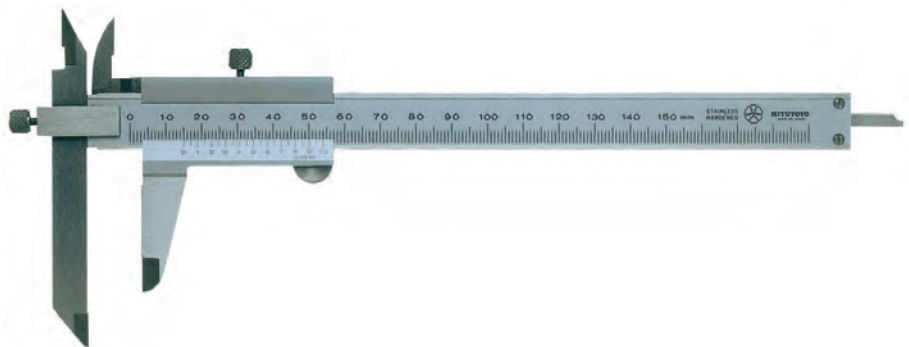
536-106

Metric

No.	Range	Accuracy	L mm	a mm	d mm	t mm	Mass g
536-105	10-150 mm	±0,05 mm	229	75	16	3	140
536-106	10-200 mm	±0,05 mm	282	75	16	3	160
536-107	10-300 mm	±0,08 mm	383	100	20	3.8	320

Series 536

- The beam-mounted jaw can be adjusted to facilitate measurement of stepped sections and hard-to-reach workpiece features.
- With depth bar.



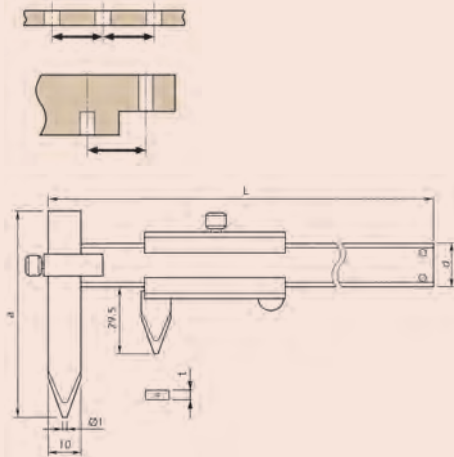
536-101

Metric

No.	Range	Accuracy	L mm	a mm	b mm	c mm	d mm	e mm	Mass g
536-101	0-150 mm	±0,05 mm	229	95	40	10	16	7.5	150
536-102	0-200 mm	±0,05 mm	286	95	50	10	16	8.5	200
536-103	0-300 mm	±0,08 mm	403	135	64	15	20	12	400

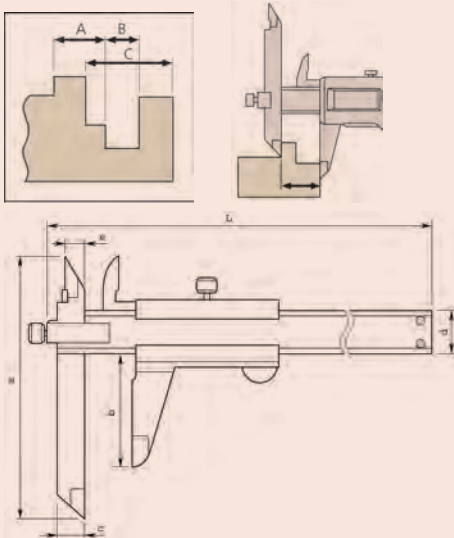
Specifications

Accuracy Refer to the list of specifications
 Graduation 0,05 mm
 Delivered In soft case



Specifications

Accuracy Refer to the list of specifications
 Graduation 0,05 mm
 Delivered In soft case

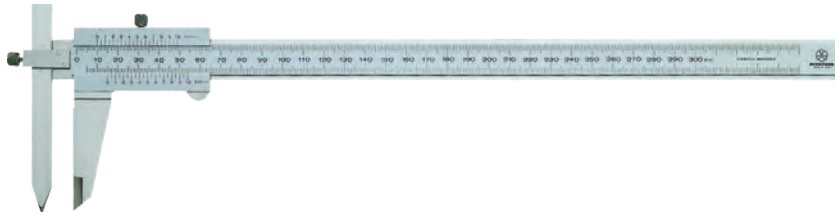


Edge Centre Caliper

Series 536

Vernier Caliper

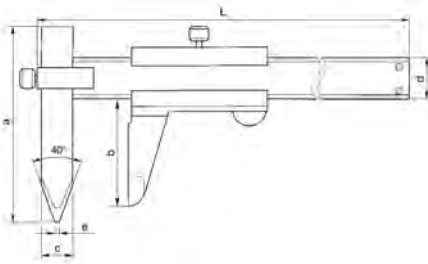
- Caliper for measuring distance between an edge and the centre of a hole.



536-109

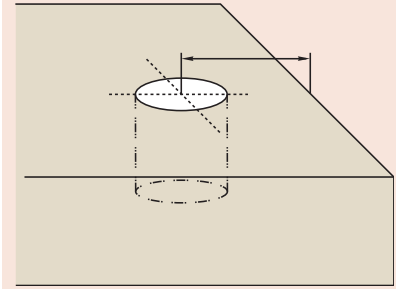
Metric

No.	Range	L mm	a mm	b mm	c mm	d mm	e ø mm	Mass g
536-109	5-300 mm	393	100	64	10	20	1	320



Specifications

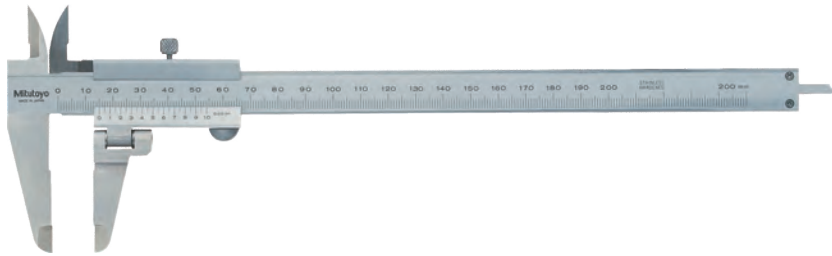
Accuracy	±0,05 mm
Graduation	0,05 mm
Delivered	In soft case



Swivel Vernier Caliper

Series 536

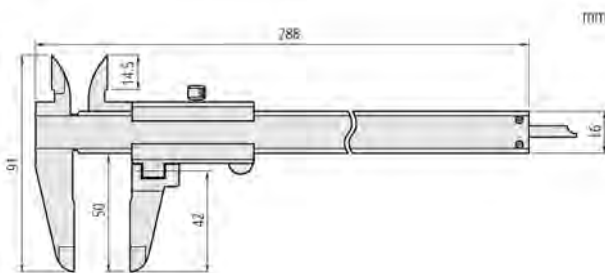
- The moving jaw can be rotated to measure sectioned shafts.
- With swivelling jaw and depth bar.



536-212

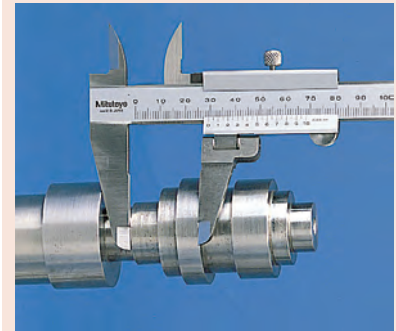
Metric

No.	Range	Accuracy	Rotation of	Mass g
536-212	0-200 mm	±0,05 mm	±90°	190



Specifications

Accuracy	Refer to the list of specifications
Graduation	0,05 mm
Delivered	In soft case



ABSOLUTE Digimatic Offset Centreline Caliper



Functions	Series 573
Data output	●
ORIGIN	●
OFFSET	●
Auto power on-off	●
Low voltage alarm	●

Specifications

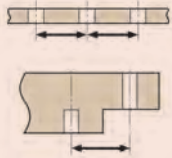
Accuracy	Refer to the list of specifications (excluding quantizing error)
Resolution	0,01 mm or 0,01 mm/0.0005"
Max. slider speed	Unlimited
Delivered	In soft case, including 1 battery

Optional accessories

No.	Description
02AZD790A	Signal cable U-Wave
06ADV380A	Signal cable 2 m USB
05CZA624	Data cable 1 m with button
05CZA625	Data cable 2 m with button

Consumable spares

No.	Description
938882	Battery SR44



Series 573

- Specially designed for hole centre-to-centre measurements in the same plane, or between offset planes.
- Can also measure from an edge to a hole centre.
- Hole diameter should be in the range 1,5 mm-10 mm (0.06"-0.4").
- SPC data output.



573-605



573-615

Metric

With thumb roller

No.	Range	Accuracy	a mm	t mm	Mass g
573-605*	10-160 mm	±0,03 mm	75	3	157
573-606*	10-210 mm	±0,03 mm	75	3	177
573-608*	10-310 mm	±0,04 mm	100	3.8	320

Metric

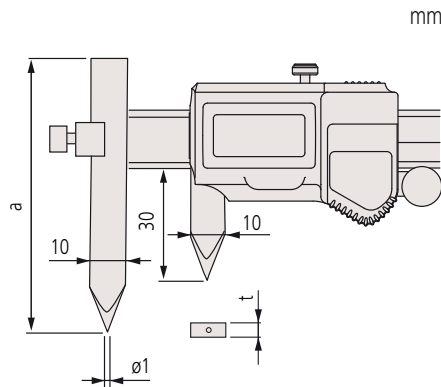
Without thumb roller

No.	Range	Accuracy	a mm	t mm	Mass g
573-615	10-160 mm	±0,03 mm	75	3	157
573-616	10-210 mm	±0,03 mm	75	3	177
573-618	10-310 mm	±0,04 mm	100	3.8	320

Inch/Metric

With thumb roller

No.	Range	Accuracy	a mm	t mm	Mass g
573-705*	10-160 mm/0.4-6.4"	±0,04 mm/0.0015"	75	3.5	157
573-706	10-210 mm/0.4-8.4"	±0,04 mm/0.0015"	75	3.5	177
573-708*	10-310 mm/0.4-12.4"	±0,04 mm/0.0015"	100	3.8	320



ABSOLUTE Digimatic Back-Jaw Centreline Caliper

Series 573

- Specially designed to measure hole centre-to-centre or edge-to-centre distances.
- Provided with jaws on the back of the slider, measurements can be read easily from above.
- Direct reading of pitch measurements is available due to the offset value setting function.
- SPC data output.



Functions	Series 573
Data output	●
ORIGIN	●
ZERO/ABS	●
OFFSET	●
PRESET	●
ON/OFF	●
Low voltage alarm	●

Specifications

Accuracy	Refer to the list of specifications (excluding quantizing error)
Resolution	0,01 mm
Max. slider speed	Unlimited
Delivered	In soft case, including 1 battery

Optional accessories

No.	Description
959149	Signal cable 1 m with data switch
959150	Signal cable 2 m with data switch
959143	Data-hold unit
02AZD790C	Signal cable for U-Wave with data switch
06ADV380C	Signal cable 2 m USB

Consumable spares

No.	Description
938882	Battery SR44



573-116-10
Centre-to-centre type



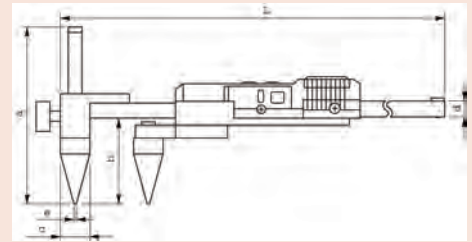
573-118-10
Edge-to-centre type

Metric Centre-to-centre type

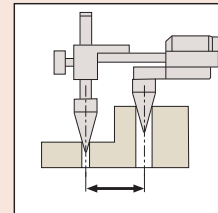
No.	Range	Accuracy	L mm	a mm	b mm	c Ø mm	d mm	e Ø mm	Mass g
573-116-10	10-200 mm	±0,10 mm	317.5	64	30	10	6	1	482
573-117-10	10-300 mm	±0,15 mm	417.5	64	30	10	6	1	578

Metric Edge-to-centre type

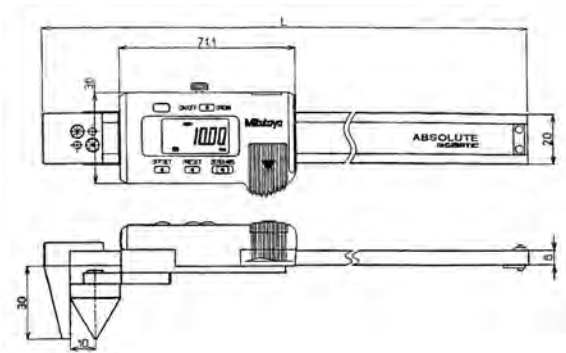
No.	Range	Accuracy	L mm	Mass g
573-118-10*	10-200 mm	±0,10 mm	317.5	490
573-119-10*	10-300 mm	±0,15 mm	417.5	585



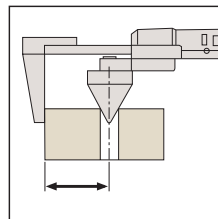
Centre-to-centre type



Centre-to-centre type



Edge-to-centre type



ABSOLUTE Digimatic Point Caliper

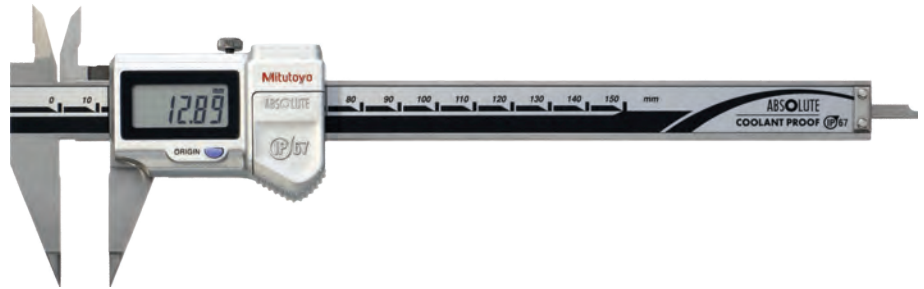


Series 573

- Narrow-tip jaws fit into very small grooves and tracks, making many previously difficult outside measurements far easier to obtain.
- With depth bar.
- SPC data output.



573-626



573-622

Metric Pointed measuring jaws

No.	Range	Thumb roller	Mass g
573-621	0-150 mm	●	163
573-622	0-150 mm		163

Metric Fine measuring jaws

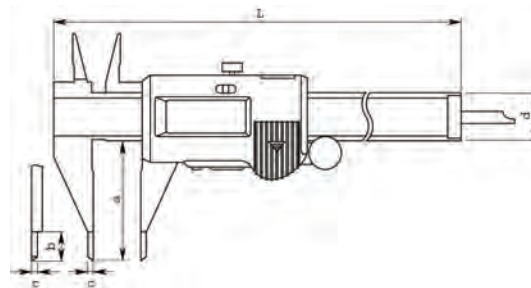
No.	Range	Thumb roller	L mm	a mm	b mm	c mm	d mm	Mass g
573-625	0-150 mm	●	233	40	10	2	16	163
573-626	0-150 mm		233	40	10	2	16	163

Inch/Metric Pointed measuring jaws

No.	Range	Thumb roller	Mass g
573-721	0-150 mm/0-6"	●	163

Inch/Metric Fine measuring jaws

No.	Range	Thumb roller	L mm	a mm	b mm	c mm	d mm	Mass g
573-725*	0-150 mm/0-6"	●	233	40	10	2	16	163



Fine measuring jaws

Functions	Series 573
Data output	●
ORIGIN	●
Auto power on-off	●
Low voltage alarm	●

Specifications

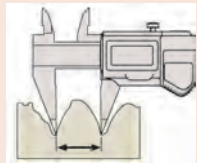
Accuracy	Refer to the list of specifications (excluding quantizing error)
Resolution	0,01 mm or 0,01 mm/0.0005"
Max. slider speed	Unlimited
Delivered	In soft case, including 1 battery

Optional accessories

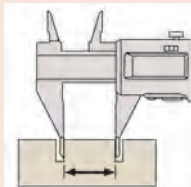
No.	Description
02AZD790A	Signal cable U-Wave
06ADV380A	Signal cable 2 m USB
05CZA624	Data cable 1 m with button
05CZA625	Data cable 2 m with button

Consumable spares

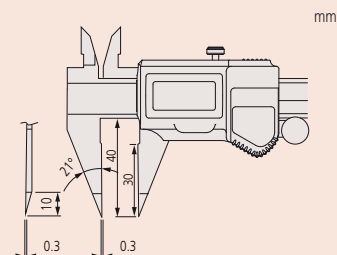
No.	Description
938882	Battery SR44



Pointed measuring jaws



Fine measuring jaws

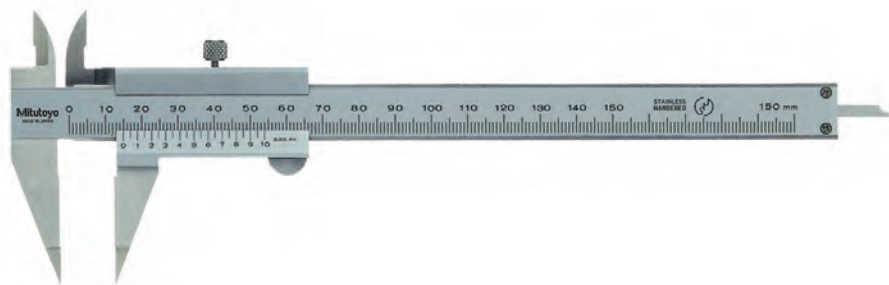


Pointed measuring jaws

Vernier Point Caliper

Series 536

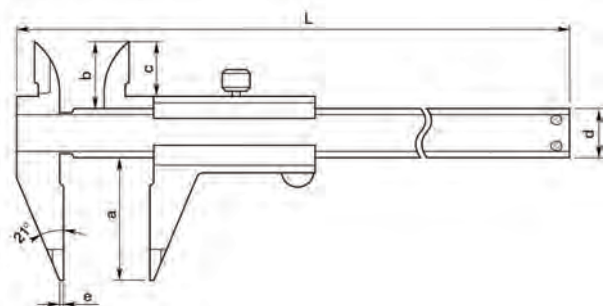
- Narrow-tip jaws fit into very small grooves and tracks, making many previously difficult outside measurements far easier to obtain.
- With depth bar.



536-121

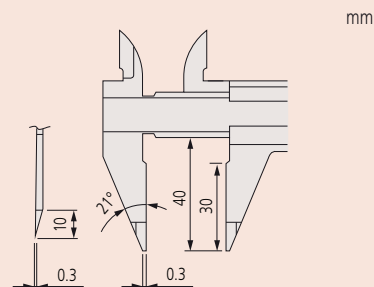
Metric

No.	Range	Accuracy	Graduation	L mm	a mm	b mm	c mm	d mm	e mm	Mass g
536-121	0-150 mm	±0,05 mm	0,05 mm	229	40	21.5	17	16	0.3	150



Specifications

Accuracy Refer to the list of specifications
 Delivered In soft case



Blade Type Caliper



Functions	Series 573
Data output	●
ORIGIN	●
Auto power on-off	●
Low voltage alarm	●

Specifications

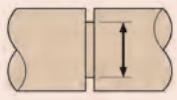
Accuracy	Refer to the list of specifications (excluding quantizing error)
Resolution	0,01 mm or 0,01 mm/0.0005"
Max. slider speed	Unlimited
Delivered	In soft case, including 1 battery

Optional accessories

No.	Description
02AZD790A	Signal cable U-Wave
06ADV380A	Signal cable 2 m USB
05CZA624	Data cable 1 m with button
05CZA625	Data cable 2 m with button

Consumable spares

No.	Description
938882	Battery SR44



Series 573

- The thin blade-type jaws fit into very small grooves and make previously difficult outside measurements far easier to obtain.
- The outside measuring faces are carbide.
- With depth bar.
- SPC data output.



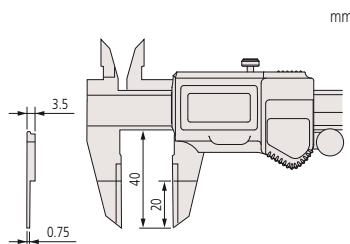
573-635

Metric

No.	Range	Accuracy	Thumb roller	Mass g
573-634*	0-150 mm	±0,02 mm	●	168
573-635	0-150 mm	±0,02 mm		168

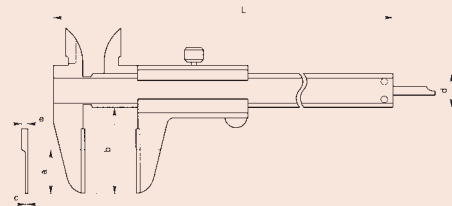
Inch/Metric

No.	Range	Accuracy	Thumb roller	Mass g
573-734	0-150 mm/0-6"	±0,02 mm/0.001"	●	168



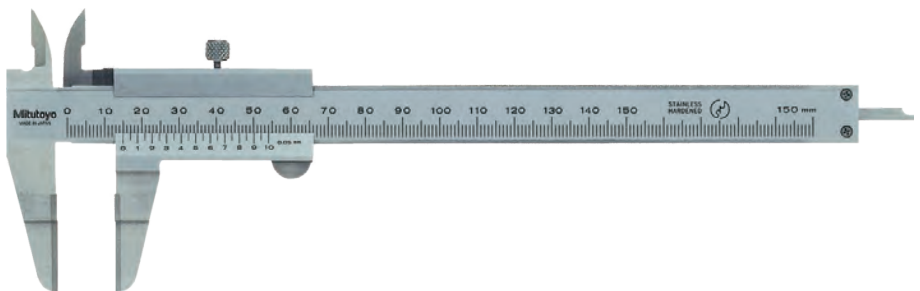
Specifications

Accuracy	Refer to the list of specifications
Graduation	0,05 mm
Delivered	In soft case



Series 536

- The thin blade-type jaws fit into very small grooves and make previously difficult outside measurements far easier to obtain.
- The outside measuring faces are carbide.
- With depth bar.



536-134

Metric

No.	Range	Accuracy	L mm	a mm	b mm	c mm	d mm	e mm	Mass g
536-134	0-150 mm	±0,05 mm	229	20	40	0.75	16	3	140
536-135	0-200 mm	±0,05 mm	286	25	50	0.75	16	3	180
536-136	0-300 mm	±0,08 mm		30	64	1	16	3.8	420

ABSOLUTE Digimatic Caliper with constant measuring force

Series 573

- Due to the low and constant measuring force these calipers are ideal for measuring elastic workpieces such as plastic parts and rubber parts that standard calipers cannot measure accurately.
- SPC data output.



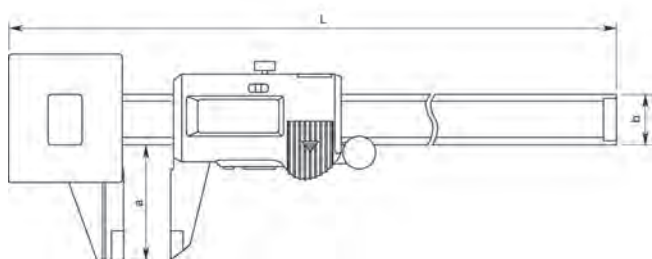
573-191-20

Metric

No.	Range	Accuracy	L mm	a mm	b mm	Mass g
573-191-20	0-180 mm	±0,05 mm	314	40	16	253

Inch/Metric

No.	Range	Accuracy	L mm	a mm	b mm	Mass g
573-291-20*	0-180 mm/0-7"	±0,05 mm/0.002"	314	40	16	253



Functions	Series 573
Data output	●
ORIGIN	●
ZERO/ABS	●
ON/OFF	●
Low voltage alarm	●

Specifications

Accuracy	Refer to the list of specifications (excluding quantizing error)
Resolution	0,01 mm or 0,01 mm/0.0005"
Measuring force	0,5 - 1 N
Jaw retraction	0,3 mm
Max. slider speed	Unlimited
Delivered	In soft case, including 1 battery

Optional accessories

No.	Description
959149	Signal cable 1 m with data switch
959150	Signal cable 2 m with data switch
959143	Data-hold unit
02AZD790C	Signal cable for U-Wave with data switch
06ADV380C	Signal cable 2 m USB

Consumable spares

No.	Description
938882	Battery SR44



ABSOLUTE Digimatic Neck Caliper



Functions	Series 573
Data output	●
ORIGIN	●
Auto power on-off	●
Low voltage alarm	●

Specifications

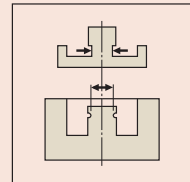
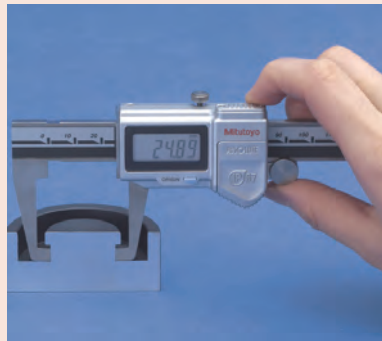
Accuracy	Refer to the list of specifications (excluding quantizing error)
Resolution	0,01 mm or 0,01 mm/0.0005"
Max. slider speed	Unlimited
Delivered	In soft case, including 1 battery

Optional accessories

No.	Description
02AZD790A	Signal cable U-Wave
06ADV380A	Signal cable 2 m USB
05CZA624	Data cable 1 m with button
05CZA625	Data cable 2 m with button

Consumable spares

No.	Description
938882	Battery SR44



Series 573

- Can measure wall thickness inside bores and recesses.
- SPC data output.



573-651



573-654
Point jaw type

Metric

No.	Range	Accuracy	Thumb roller	Mass g
573-651	0-150 mm	±0,03 mm	●	157
573-653	0-150 mm	±0,03 mm		157

Metric

Point jaw type

No.	Range	Accuracy	Thumb roller	Mass g
573-652	0-150 mm	±0,03 mm	●	157
573-654	0-150 mm	±0,03 mm		157

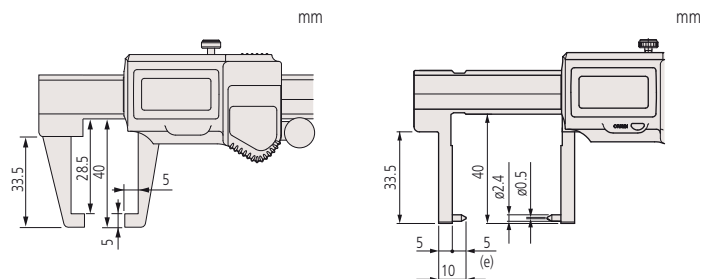
Inch/Metric

No.	Range	Accuracy	Thumb roller	Mass g
573-751	0-150 mm/0-6"	±0,03 mm/0.0015"	●	157

Inch/Metric

Point jaw type

No.	Range	Accuracy	Thumb roller	Mass g
573-752*	0-150 mm/0-6"	±0,03 mm/0.0015"	●	157

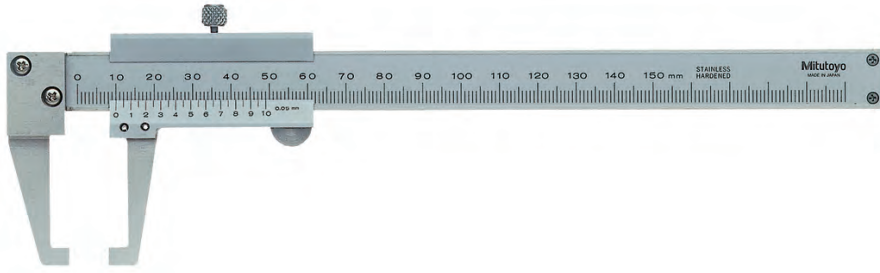


Point jaw type

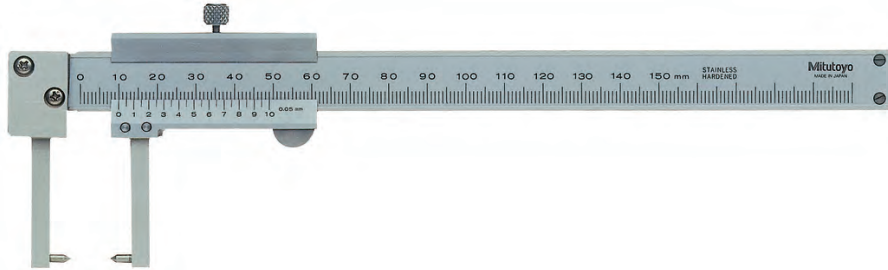
Vernier Neck Caliper

Series 536

- Can measure wall thickness inside bores and recesses.



536-151



536-152
Point jaw type

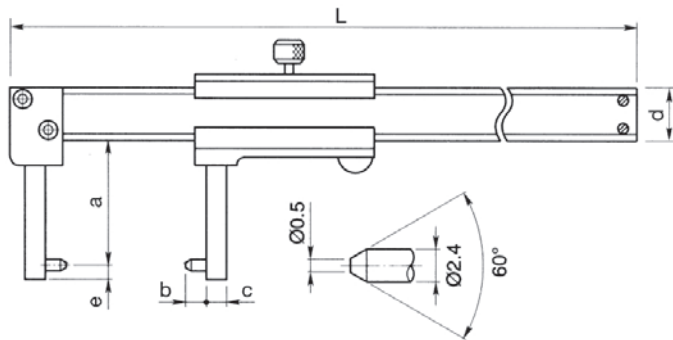
Metric

No.	Range	Accuracy	Mass g
536-151	0-150 mm	±0,05 mm	140

Metric

Point jaw type

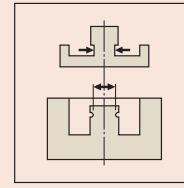
No.	Range	Accuracy	L mm	a mm	b mm	c mm	d mm	e mm	Mass g
536-152	0-150 mm	±0,05 mm	229	38	5	5	16	2	140



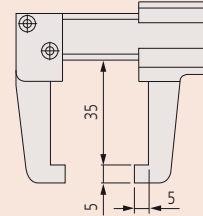
536-152
Point jaw type

Specifications

Accuracy	Refer to the list of specifications
Graduation	0,05 mm
Delivered	In soft case



mm



536-151

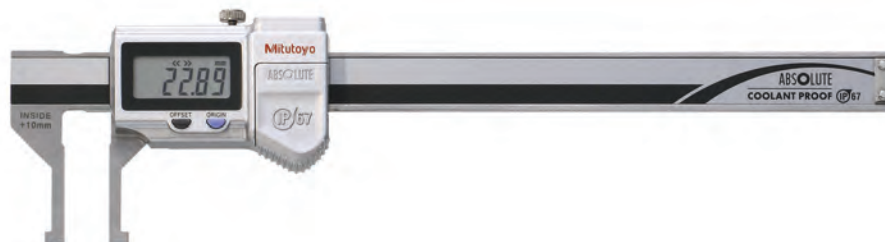
ABSOLUTE Digimatic Inside Caliper



Series 573

Inside groove type

- Specially designed for inside measurements in hard-to-reach places.
- With outside angled measuring tips.
- SPC data output.



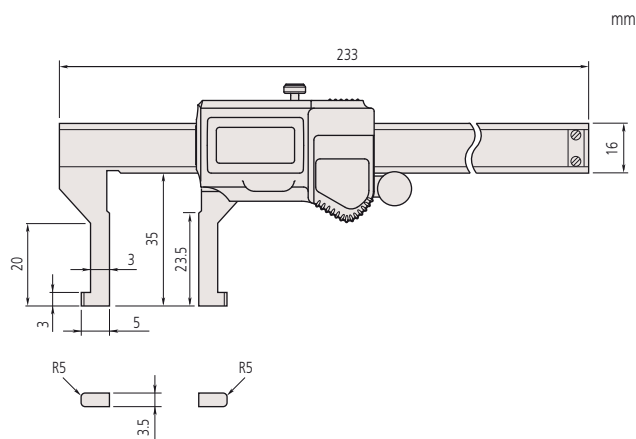
573-647

Metric

No.	Range	Accuracy	Thumb roller	Mass g
573-645	10-160 mm	±0,05 mm	●	147
573-647	10-160 mm	±0,05 mm		147

Inch/Metric

No.	Range	Accuracy	Thumb roller	Mass g
573-745*	10-150 mm/0.4-6"	±0,05 mm/0.002"	●	147



Functions	Series 573
Data output	●
ORIGIN	●
OFFSET	●
Auto power on-off	●
Low voltage alarm	●

Specifications

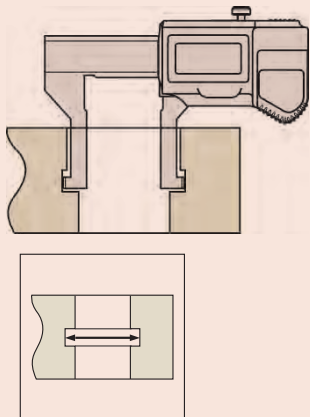
Accuracy	Refer to the list of specifications (excluding quantizing error)
Resolution	0,01 mm or 0,01 mm/0.0005"
Max. slider speed	Unlimited
Delivered	In soft case, including 1 battery

Optional accessories

No.	Description
02AZD790A	Signal cable U-Wave
06ADV380A	Signal cable 2 m USB
05CZA624	Data cable 1 m with button
05CZA625	Data cable 2 m with button

Consumable spares

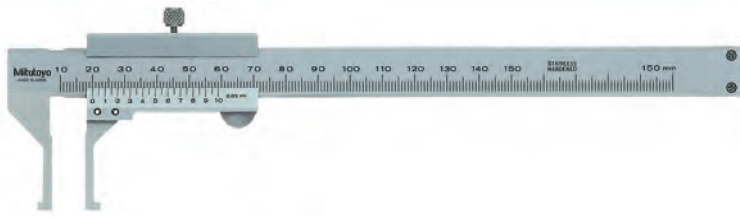
No.	Description
938882	Battery SR44



Hook Type Vernier Caliper

Series 536

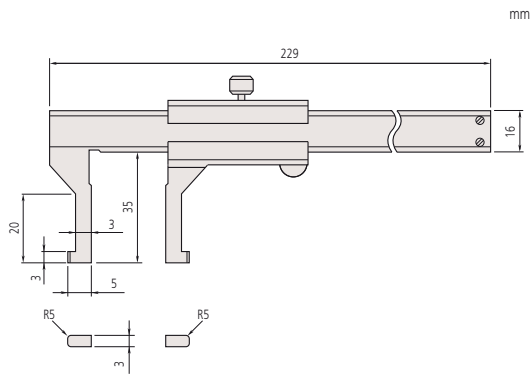
- Specially designed for inside measurements in hard-to-reach places.
- With outside angled measuring tips.



536-145

Metric

No.	Range	Accuracy	Mass g
536-145	10-150 mm	±0,05 mm	130



Series 536

- Can measure width of grooves and lands inside bores and recesses.



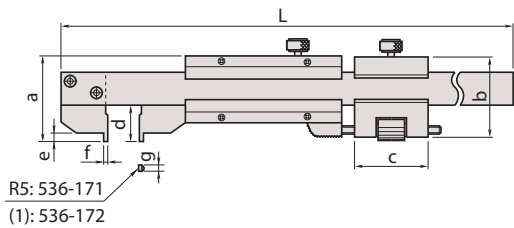
536-171



536-172

Metric

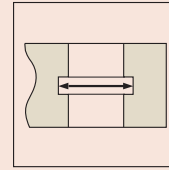
No.	Range	Inside measuring from	L mm	a mm	b mm	c mm	d mm	e mm	f mm	g mm	Mass g
536-171	0-200 mm	10 mm	320	28			12	4	5	3.5	170
536-172	0-200 mm	2 mm	320	28	28.5	20	12	4	1	3.5	200



(1) flat touch for 536-172

Specifications

Accuracy	Refer to the list of specifications
Graduation	0,05 mm
Delivered	In soft case



Series 536

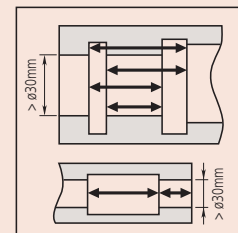
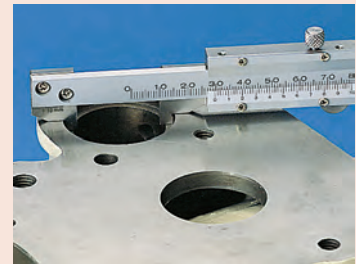
536-172

Functions

Fine adjustment

Specifications

Accuracy	±0,03 mm
Graduation	0,02 mm
Delivered	In soft case



Inside Caliper

Series 573

ABSOLUTE Digimatic Caliper - Point type

- Specially designed for inside measurements in hard-to-reach places.
- With outside angled measuring tips.
- SPC data output.



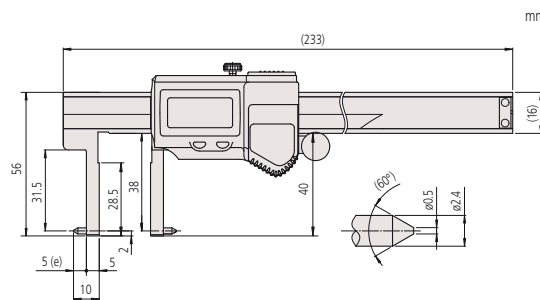
573-646

Metric

No.	Range	Accuracy	Thumb roller	Mass g
573-646	20-170 mm	±0,03 mm	●	157
573-648	20-170 mm	±0,03 mm		157

Inch/Metric

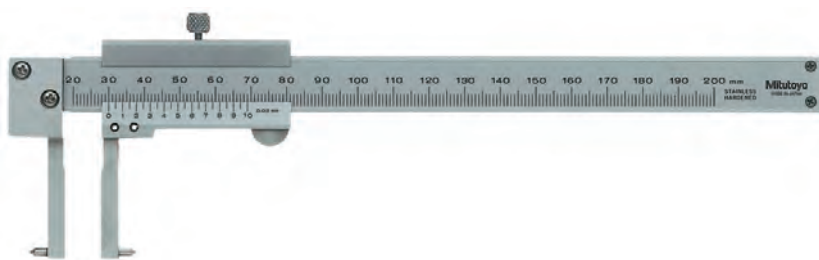
No.	Range	Accuracy	Thumb roller	Mass g
573-746	20-150 mm/0.8-6"	±0,03 mm/0.0015"	●	157



Series 536

Vernier Caliper - Point type

- Specially designed for inside measurements in hard-to-reach places.
- With outside angled measuring tips.



536-146

Metric

No.	Range	Accuracy	a mm	b mm	c mm	d mm	e mm	f mm	g mm	Mass g
536-146	20-150 mm	±0,05 mm	229	16	38	31	5	5	2	140
536-147	30-300 mm	±0,08 mm	403	20	98	89	5	10	2	370
536-148	70-450 mm	±0,10 mm	610	25	145	136	10	25	5	1,250
536-149	70-600 mm	±0,12 mm	750	25	145	136	10	25	5	1,430

Functions	Series 573
Data output	●
ORIGIN	●
OFFSET	●
Auto power on-off	●
Low voltage alarm	●

Specifications

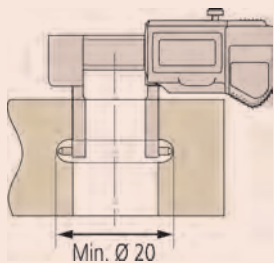
Accuracy	Refer to the list of specifications (excluding quantizing error)
Resolution	0,01 mm or 0,01 mm/0.0005"
Max. slider speed	Unlimited
Delivered	In soft case, including 1 battery

Optional accessories

No.	Description
02AZD790A	Signal cable U-Wave
06ADV380A	Signal cable 2 m USB
05CZA624	Data cable 1 m with button
05CZA625	Data cable 2 m with button

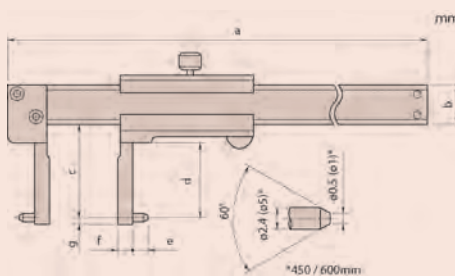
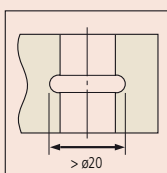
Consumable spares

No.	Description
938882	Battery SR44



Specifications

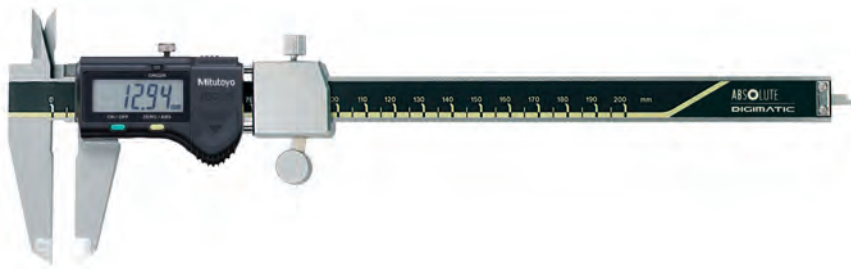
Accuracy	Refer to the list of specifications
Graduation	0,05 mm
Delivered	In soft case



ABSOLUTE Digimatic Caliper for tolerance measurement

Series 573

- The ABSOLUTE Digimatic snap caliper features a spring-loaded mechanism to allow quick and efficient GO/±NO-GO inspection for mass produced parts.
- SPC data output.



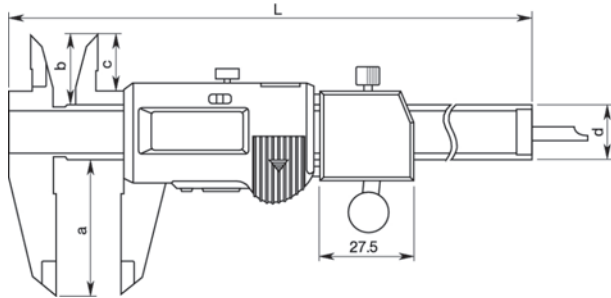
573-182-20

Metric

No.	Range	L mm	a mm	b mm	c mm	d mm	Mass g
573-181-20*	0-100 mm	233	40	21	16.5	16	213
573-182-20	0-150 mm	290	50	24.5	20	16	233

Inch/Metric

No.	Range	L mm	a mm	b mm	c mm	d mm	Mass g
573-281-20*	0-100 mm/0-4"	233	40	21	16.5	16	213
573-282-20*	0-150 mm/0-6"	290	50	24.5	20	16	233



Functions	Series 573
Data output	●
ORIGIN	●
ZERO/ABS	●
ON/OFF	●
Low voltage alarm	●

Specifications

Accuracy	±0,02 mm or 0,02 mm/0.001"
Resolution	0,01 mm or 0,01 mm/0.0005"
Repeatability	0,01 mm
Measuring force	7 - 14 N
Jaw retraction	2 mm
Max. slider speed	Unlimited
Delivered	In soft case, including 1 battery

Optional accessories

No.	Description
959149	Signal cable 1 m with data switch
959150	Signal cable 2 m with data switch
959143	Data-hold unit
02AZD790C	Signal cable for U-Wave with data switch
06ADV380C	Signal cable 2 m USB

Consumable spares

No.	Description
938882	Battery SR44



Inside Caliper

Series 573

ABSOLUTE Digimatic Caliper - Knife-edge type

- Specially designed for inside measurements in hard-to-reach places.
- With long narrow jaws.
- SPC data output.



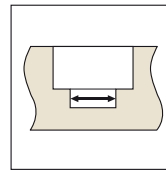
573-642

Metric

No.	Range	Accuracy	Thumb roller	Mass g
573-642	10-200 mm	±0,05 mm	●	227
573-643	10-200 mm	±0,05 mm		227

Inch/Metric

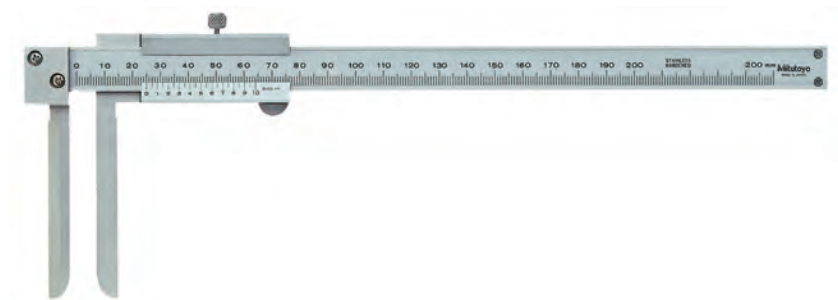
No.	Range	Accuracy	Thumb roller	Mass g
573-742*	10-200 mm/0.4-8"	±0,05 mm/0.002"	●	227



Series 536

Vernier Caliper - Knife-edge type

- Specially designed for inside measurements in hard-to-reach places.
- With long narrow jaws.



536-142

Metric

No.	Range	Accuracy	Mass g
536-142	10-200 mm	±0,12 mm	210

Functions	Series 573
Data output	●
ORIGIN	●
Auto power on-off	●
Low voltage alarm	●

Specifications

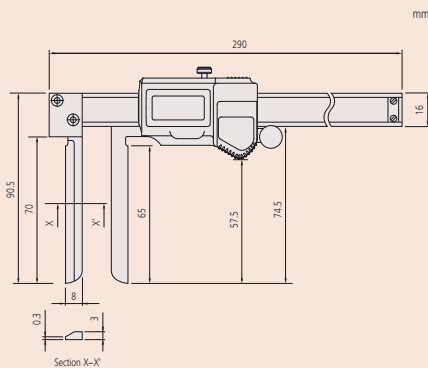
Accuracy	Refer to the list of specifications
Resolution	0,01 mm or 0,01 mm/0.0005"
Max. slider speed	Unlimited
Delivered	In soft case, including 1 battery

Optional accessories

No.	Description
02AZD790A	Signal cable U-Wave
06ADV380A	Signal cable 2 m USB
05CZA624	Data cable 1 m with button
05CZA625	Data cable 2 m with button

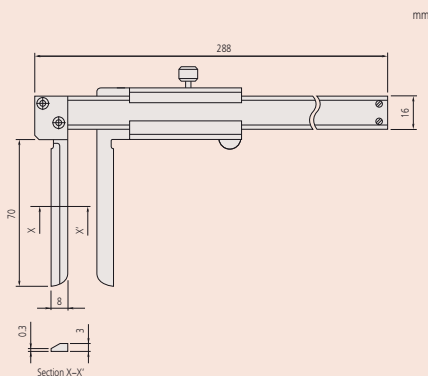
Consumable spares

No.	Description
938882	Battery SR44



Specifications

Accuracy	Refer to the list of specifications
Graduation	0,05 mm
Delivered	In soft case

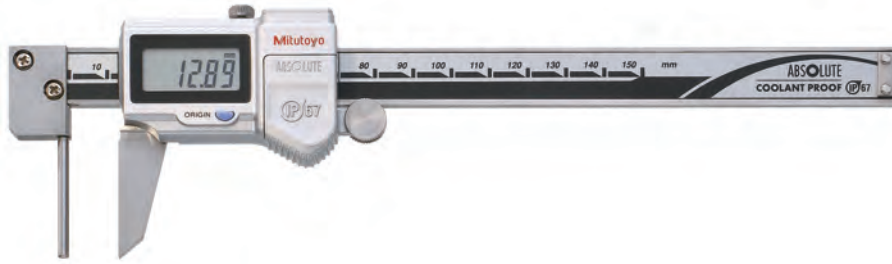


Tube Thickness Caliper

Series 573

ABSOLUTE Digimatic Caliper

- The beam-mounted jaw is a round bar that facilitates measurements of tube wall thickness.
- SPC data output.



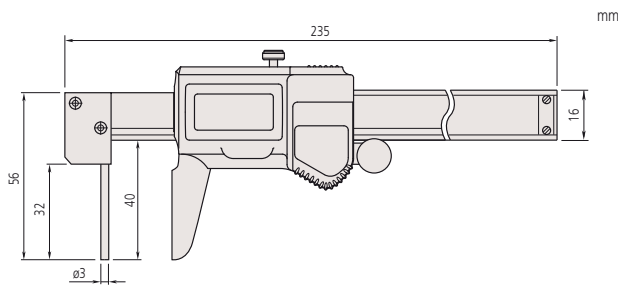
573-661

Metric

No.	Range	Accuracy	Thumb roller	Mass g
573-661	0-150 mm	±0,05 mm	●	167
573-662	0-150 mm	±0,05 mm	●	167

Metric/Inch

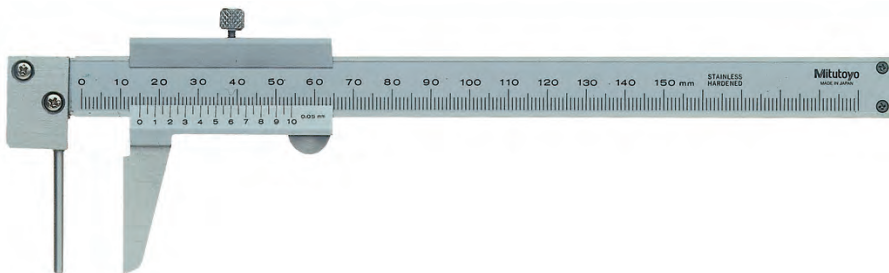
No.	Range	Accuracy	Thumb roller	Mass g
573-761	0-150 mm/0-6"	±0,05 mm/0.002"	●	167



Series 536

Vernier Caliper

- The beam-mounted jaw is a round bar that facilitates measurements of tube wall thickness.



536-161

Metric

No.	Range	Accuracy	Mass g
536-161	0-150 mm	±0,05 mm	150

Functions	Series 573
Data output	●
ORIGIN	●
Auto power on-off	●
Low voltage alarm	●

Specifications

Accuracy	Refer to the list of specifications (excluding quantizing error)
Resolution	0,01 mm or 0,01 mm/0.0005"
Max. slider speed	Unlimited
Delivered	In soft case, including 1 battery

Optional accessories

No.	Description
02AZD790A	Signal cable U-Wave
06ADV380A	Signal cable 2 m USB
05CZA624	Data cable 1 m with button
05CZA625	Data cable 2 m with button

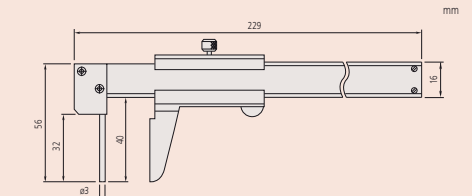
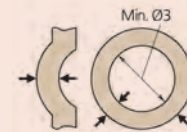
Consumable spares

No.	Description
938882	Battery SR44



Specifications

Accuracy	Refer to the list of specifications
Graduation	0,05 mm
Delivered	In soft case



Plastic Caliper

Series 700

- Ideal for use in laboratory, wood-shop, nursery, doctor's surgery, office, etc.
- Choice of standard and deep throat type models.

Functions	Series 700
ZERO	●
ON/OFF	●
Low voltage alarm	●

Specifications

Accuracy	Refer to the list of specifications (excluding quantizing error)
Resolution	0,1 mm or 0,1 mm/0.001"
Max. slider speed	1600 mm/s

Consumable spares

No.	Description
938882	Battery SR44



700-127 / 700-126



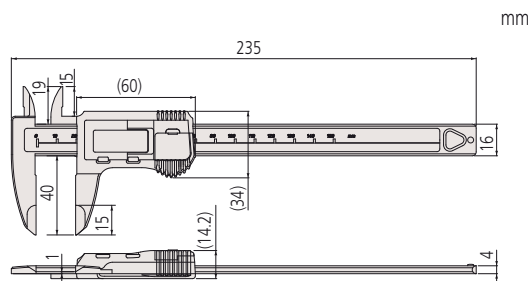
700-128

Metric

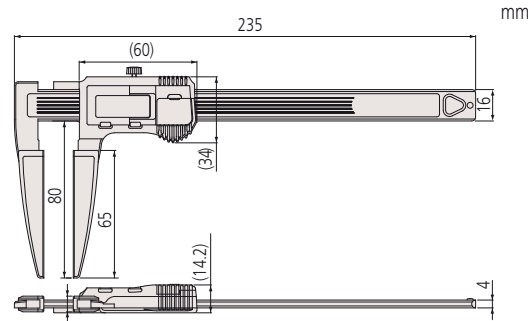
No.	Range	Accuracy	Mass g
700-127	0-150 mm	±0,2 mm	45
700-128	0-150 mm	±0,5 mm	55

Inch/Metric

No.	Range	Accuracy	Mass g
700-126*	0-150 mm/0-6"	±0,2 mm/0.008"	45



700-127 / 700-126

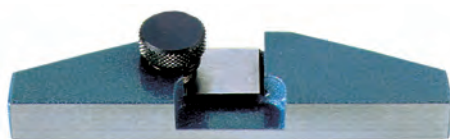


700-128

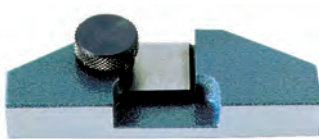
Optional Accessory for Calipers

Depth base attachment

- For vernier and dial calipers which have a depth measuring bar.
- Finely ground base surface and secure locking clamp.



050084-10

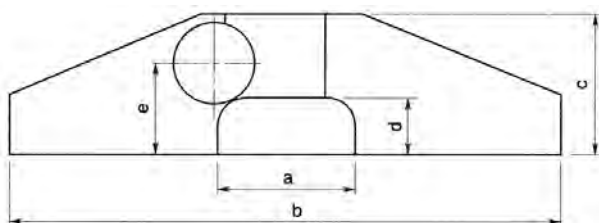


050083-10

No.	Size	Applicable measuring range of caliper	a mm	b mm	c mm	d mm	e mm	Mass g
050083-10	75 mm	100, 150 and 200 mm/4, 6 and 8"	25	75	24.5	9	16	130
050084-10	100 mm	100, 150 and 200 mm/4, 6 and 8"	25	100	24.5	9	16	160
050085-10	125 mm	300 mm/12"	30	125	28.5	11.5	20	270



Sample application



Digimatic Depth Micrometer

Series 329

Interchangeable Rod Type

- $\varnothing 4$ mm interchangeable rods, with lapped measuring surfaces, provide a wide measuring range in 25 mm increments.
- Ratchet stop provides constant measuring force.
- Measuring rod lock.
- SPC data output.



329-250-10

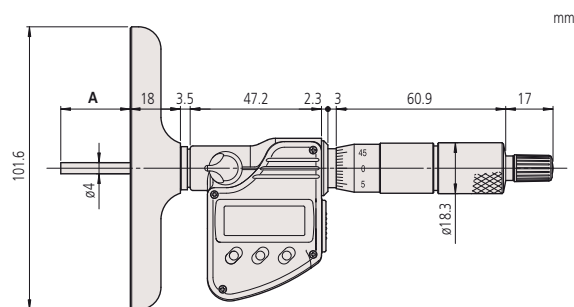


Metric

No.	Range	Base (W x T)	Number of rods	Mass g
329-250-10	0-150 mm	101,6 x 16 mm	6	540
329-251-10	0-300 mm	101,6 x 16 mm	12	790

Inch/Metric

No.	Range	Base (W x T)	Number of rods	Mass g
329-350-10	0-150 mm/0-6"	101,6 x 16 mm/4 x 0.63"	6	540
329-351-10	0-300 mm/0-12"	101,6 x 16 mm/4 x 0.63"	12	790



A = Range

Functions	Series 329
Data output	●
ZERO/ABS	●
2 x PRESET	●
Auto power on-off	●
DATA/HOLD	●
Lock function	●
Low voltage alarm	●

Specifications

Accuracy	$\pm 3 \mu\text{m}/0.00015''$
Resolution	0,001 mm or 0,001 mm/0.00005"
Flatness base	$2 \mu\text{m}/0.0001''$
Flatness rod	0,3 μm
Parallelism between reference face and measuring rod face	$(4+L/50) \mu\text{m}$ (mm)
Measuring span	25 mm
Rod	$\varnothing 4$ mm
Scales	Thimble and sleeve satin chrome finish, $\varnothing 18$ mm
Spindle pitch	0,5 mm with spindle lock
Measuring surfaces	Hardened precision ground, micro-lap finish
Base	Hardened tool steel
Measuring force	5-10 N
Delivered	Including box, key and 1 battery

Optional accessories

No.	Description
05CZA662	Signal cable 1 m with data button
05CZA663	Signal cable 2 m with data button
02AZD790B	Signal cable U-Wave with data button
06ADV380B	Signal cable 2 m USB

Consumable spares

No.	Description
938882	Battery SR44

Depth Micrometer

Series 129

Interchangeable Rod Type

- $\varnothing 4$ mm interchangeable rods, with lapped measuring surfaces, provide a wide measuring range in 25 mm increments.
- Ratchet stop provides constant measuring force. Measuring rod lock.



129-112

Metric

Base 63,5 x 16 mm

No.	Range	Number of rods	Mass g
129-154*	0-25 mm		240
129-109	0-50 mm	2	260
129-110	0-75 mm	3	280
129-111	0-100 mm	4	310
129-112	0-150 mm	6	370
129-152	0-300 mm	12	600

Metric

Base 101,6 x 16 mm

No.	Range	Number of rods	Mass g
129-155*	0-25 mm		290
129-113	0-50 mm	2	310
129-114	0-75 mm	3	330
129-115	0-100 mm	4	355
129-116	0-150 mm	6	410
129-153	0-300 mm	12	640

Inch

Base 4 x 0.63"

No.	Range	Number of rods	Mass g
129-129*	0-2"	2	310
129-130*	0-3"	3	330
129-131*	0-4"	4	355
129-132	0-6"	6	410
129-150	0-12"	12	640

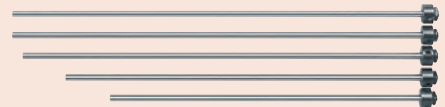
Inch

Base 2.5 x 0.63"

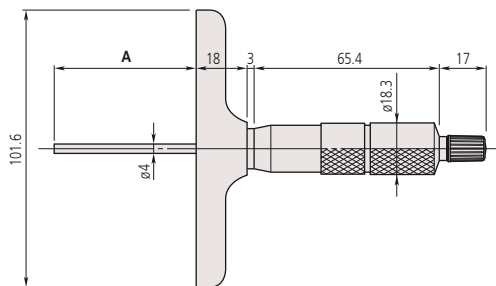
No.	Range	Number of rods	Mass g
129-126	0-3"	3	280
129-127*	0-4"	4	310
129-128	0-6"	6	370
129-149*	0-12"	12	600

Specifications

Accuracy	$\pm 3 \mu\text{m}/0.00015''$
Graduation	0,01 mm or 0.001"
Flatness base	1,3 μm for 63,5 mm/2.5" 2 μm for 101,6 mm/4"
Flatness rod	0,3 μm
Scales	Thimble and sleeve satin chrome finish $\varnothing 18$ mm
Measuring span	25 mm
Spindle pitch	0,5 mm, with spindle lock
Measuring surfaces	Hardened, precision ground, micro-lap finish
Base	Hardened tool steel
Measuring force	5-10 N
Delivered	Including box and key



mm



A = Range

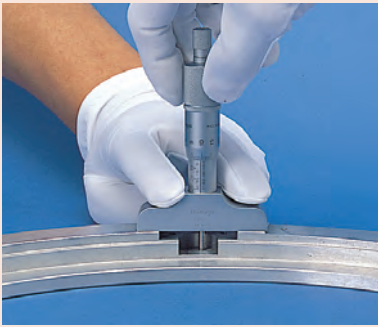
Depth Micrometer

Series 128

- $\varnothing 4$ mm measuring rod.
- Ratchet stop provides constant measuring force.
- Measuring rod lock.
- Carbide-tipped measuring rod model is available.

Specifications

Accuracy	$\pm 3 \mu\text{m}/0.00015''$
Graduation	0,01 mm or 0.001''
Flatness base	1,3 μm for 63,5 mm/2.5'' 2 μm for 101,6 mm/4''
Flatness rod	0,3 μm
Scales	Thimble and sleeve satin chrome finish $\varnothing 18$ mm
Measuring span	25 mm
Spindle pitch	0,5 mm with spindle lock
Measuring surfaces	Hardened precision ground, micro-lap finish
Base	Hardened tool steel
Measuring force	5-10 N
Delivered	Including box and key



128-101

Metric

No.	Range	Base (W x T)	Mass g
128-101	0-25 mm	63,5 x 16 mm	200
128-102	0-25 mm	101,6 x 16 mm	250

Metric

Carbide-tipped measuring rod

No.	Range	Base (W x T)	Mass g
128-103*	0-25 mm	63,5 x 16 mm	200
128-104*	0-25 mm	101,6 x 16 mm	250

Inch

No.	Range	Base (W x T)	Mass g
128-105	0-1''	2.5 x 0.63''	200
128-106	0-1''	4 x 0.63''	250

ABSOLUTE Digimatic Depth Gauge

Series 571

- The ABSOLUTE feature of this gauge keeps track of the origin point (once set) for the entire life of the battery.
- Base and measuring faces are hardened and micro-lapped.
- SPC data output.



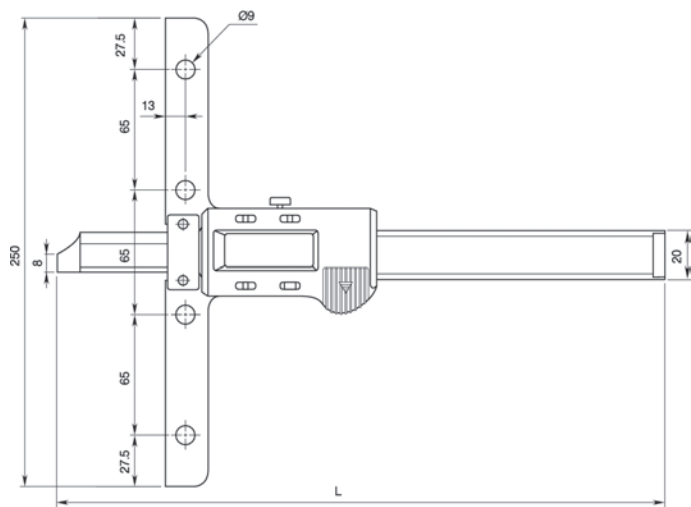
571-201-20

Metric

No.	Range	Accuracy	Base (W x T)	L mm	Mass g
571-201-20	0-150 mm	±0,02 mm	100 x 6 mm	237	200
571-202-20	0-200 mm	±0,02 mm	100 x 6 mm	287	220
571-203-20	0-300 mm	±0,03 mm	100 x 6 mm	403	260
571-204-10	0-450 mm	±0,05 mm	250 x 10 mm	635	1,270
571-205-10	0-600 mm	±0,05 mm	250 x 10 mm	785	1,400
571-206-10	0-750 mm	±0,06 mm	250 x 10 mm	935	1,530
571-207-10	0-1000 mm	±0,07 mm	250 x 10 mm	1,200	1,760

Inch/Metric

No.	Range	Accuracy	Base (W x T)	L mm	Mass g
571-211-20	0-150 mm/0-6"	±0,03 mm/0.0015"	3.93 x 0.23"	237	200
571-212-20	0-200 mm/0-8"	±0,03 mm/0.0015"	3.93 x 0.23"	287	220
571-213-10	0-300 mm/0-12"	±0,04 mm/0.002"	3.93 x 0.23"	403	260
571-214-10	0-450 mm/0-18"	±0,05 mm/0.002"	9.8 x 0.39"	635	1,270
571-215-10	0-600 mm/0-24"	±0,05 mm/0.002"	9.8 x 0.39"	785	1,400
571-216-10	0-750 mm/0-30"	±0,06 mm/0.0025"	9.8 x 0.39"	935	1,530
571-217-10*	0-1000 mm/0-40"	±0,07 mm/0.003"	9.8 x 0.39"	1,200	1,760



Over 300 mm range models

Functions	Series 571
Data output	●
ORIGIN	●
ZERO/ABS	●
ON/OFF	●
Low voltage alarm	●

Specifications

Accuracy	Refer to the list of specifications (excluding quantizing error)
Resolution	0,01 mm or 0,01 mm/0.0005"
Max. slider speed	Unlimited
Delivered	In soft case (450/1000 mm) Including 1 battery

Optional accessories

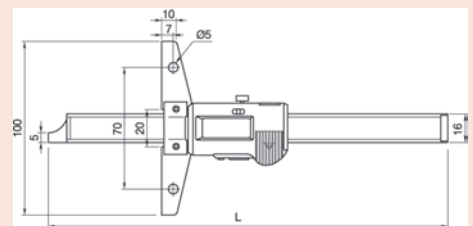
No.	Description
06ABZ297	Plastic soft case for 150/200 mm depth gauge
06ADS452	Plastic soft case for 300 mm depth gauge
959149	Signal cable 1 m with data switch
959150	Signal cable 2 m with data switch
959143	Data-hold unit
02AZD790C	Signal cable for U-Wave with data switch
06ADV380C	Signal cable 2 m USB
900370	Base length 180 mm for range up to 300 mm
900371	Base length 260 mm for range up to 300 mm
900372	Base length 320 mm for range up to 300 mm

Consumable spares

No.	Description
938882	Battery SR44

Optional accessories for Inch

No.	Description
900367	Base length 7" for range up to 12"
900368	Base length 10" for range up to 12"
900369	Base length 12" for range up to 12"
936937-05	Extension Data cable 5 m



Up to 300 mm range models

ABSOLUTE Digimatic Depth Gauge



Series 571

IP67 Coolant Proof model

- Designed for use in challenging work environments.
- Extremely resistant to coolants and lubricants.
- The ABSOLUTE feature of this gauge keeps track of the origin point (once set) for the entire life of the battery.
- Base and measuring faces are hardened and micro-lapped.
- SPC data output.



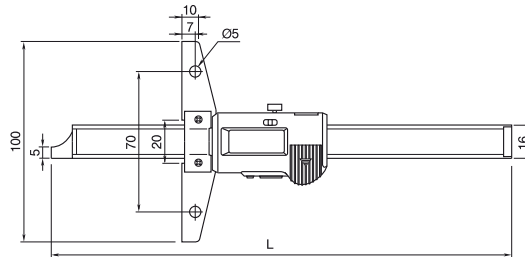
571-251-10

Metric

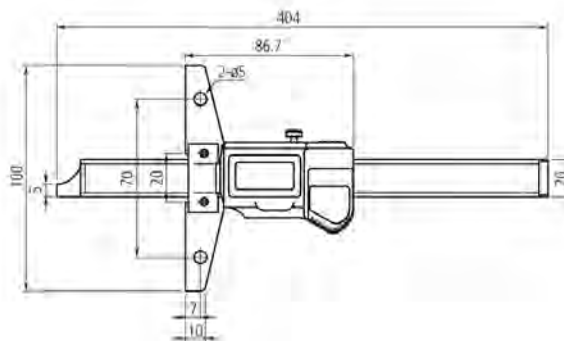
No.	Range	Accuracy	Base (W x T)	L mm	Mass g
571-251-10	0-150 mm/0-6"	±0,03 mm	100 x 6 mm	237	199
571-252-10	0-200 mm	±0,03 mm	100 x 6 mm	287	219
571-253-10	0-300 mm	±0,03 mm	100 x 6,3 mm	404	357

Inch/Metric

No.	Range	Accuracy	Base (W x T)	L mm	Mass g
571-261-10*	0-150 mm/0-6"	±0,03 mm/0.0015"	3.93 x 0.23"	237	199
571-262-10*	0-200 mm/0-8"	±0,03 mm/0.0015"	3.93 x 0.23"	287	219
571-263-10*	0-300 mm/0-12"	±0,03 mm/0.0015"	3.93 x 0.23"	403	357



Range : 0-150 mm, 0-200 mm



Range : 0-300 mm

Functions	Series 571
Data output	●
ORIGIN	●
Auto power on-off	●
Low voltage alarm	●

Specifications

Accuracy	Refer to the list of specifications (excluding quantizing error)
Resolution	0,01 mm or 0,01 mm/0.0005"
Max. slider speed	Unlimited
Delivered	In soft case including 1 battery

Optional accessories

No.	Description
02AZD790A	Signal cable U-Wave
06ADV380A	Signal cable 2 m USB
05CZA624	Data cable 1 m with button
05CZA625	Data cable 2 m with button
900370	Base length 180 mm for range up to 300 mm
900371	Base length 260 mm for range up to 300 mm
900372	Base length 320 mm for range up to 300 mm

Consumable spares

No.	Description
938882	Battery SR44

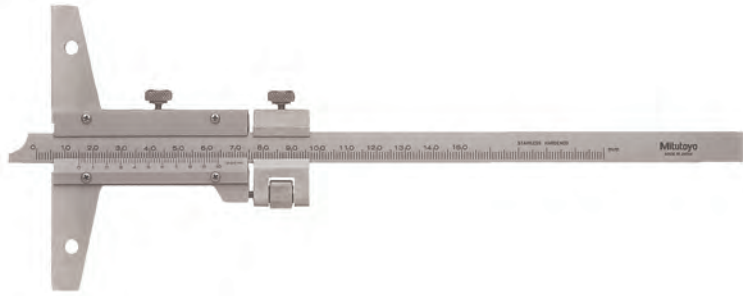
Optional accessories for Inch

No.	Description
900367	Base length 7" for range up to 12"
900368	Base length 10" for range up to 12"
900369	Base length 12" for range up to 12"

Vernier Depth Gauge

Series 527

- Base and measuring faces are hardened and micro-lapped.
- Made of hardened stainless steel.



527-101

Metric

No.	Range	Accuracy	Graduation	Base (W x T)	L mm	Mass g
527-201	0-150 mm	±0,05 mm	0,05 mm	100 x 6,5 mm	260	240
527-121*	0-150 mm	±0,03 mm	0,02 mm	100 x 6,5 mm	260	215
527-202	0-200 mm	±0,05 mm	0,05 mm	100 x 6,5 mm	310	260
527-122	0-200 mm	±0,03 mm	0,02 mm	100 x 6,5 mm	310	230
527-203	0-300 mm	±0,08 mm	0,05 mm	100 x 6,5 mm	410	300
527-123	0-300 mm	±0,04 mm	0,02 mm	100 x 6,5 mm	410	265
527-204	0-600 mm	±0,10 mm	0,05 mm	250 x 10 mm	800	1,510
527-205	0-1000 mm	±0,15 mm	0,05 mm	250 x 10 mm	1,200	1,880

Metric

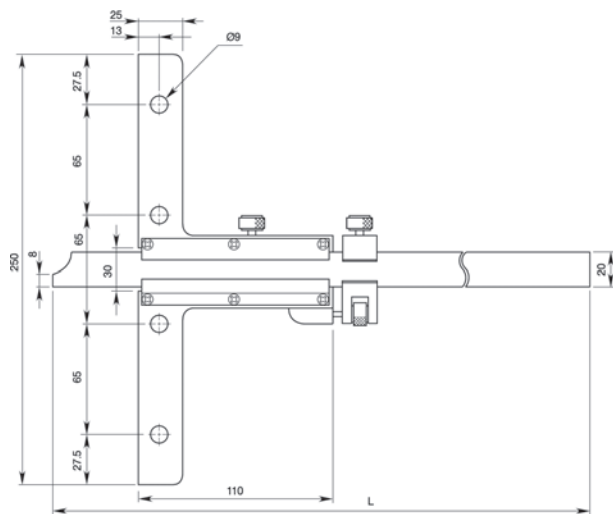
With fine adjustment

No.	Range	Accuracy	Graduation	Base (W x T)	L mm	Mass g
527-101	0-150 mm	±0,03 mm	0,02 mm	100 x 6,5 mm	260	280
527-102	0-200 mm	±0,03 mm	0,02 mm	100 x 6,5 mm	310	300
527-103	0-300 mm	±0,04 mm	0,02 mm	100 x 6,5 mm	410	350
527-104	0-600 mm	±0,05 mm	0,02 mm	250 x 10 mm	800	1,510
527-105	0-1000 mm	±0,07 mm	0,02 mm	250 x 10 mm	1,200	1,880

Inch

With fine adjustment

No.	Range	Accuracy	Graduation	Base (W x T)	L mm	Mass g
527-111	0-6"	±0.001"	0.001"	3.93 x 0.25"	260	280
527-112*	0-8"	±0.001"	0.001"	3.93 x 0.25"	310	300
527-113	0-12"	±0.0015"	0.001"	9.8 x 0.39"	410	350
527-114*	0-24"	±0.002"	0.001"	9.8 x 0.39"	800	1,510
527-115*	0-40"	±0.003"	0.001"	9.8 x 0.39"	1,200	1,880



Over 300 mm range models

Specifications

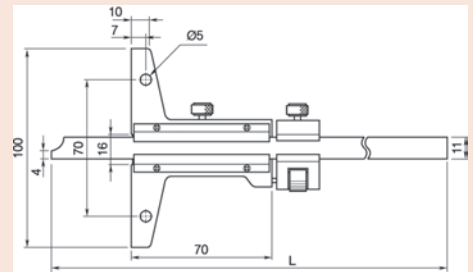
Accuracy Refer to the list of specifications

Optional accessories

No.	Description
06ABZ297	Plastic soft case for 150/200 mm depth gauge
06ADS452	Plastic soft case for 300 mm depth gauge
900370	Base length 180 mm for range up to 300 mm
900371	Base length 260 mm for range up to 300 mm
900372	Base length 320 mm for range up to 300 mm

Optional accessories for Inch

No.	Description
900367	Base length 7" for range up to 12"
900368	Base length 10" for range up to 12"
900369	Base length 12" for range up to 12"



Up to 300 mm range models

ABSOLUTE Digimatic Depth Gauge Hook Type



Series 571

- The end of the beam is hook shaped to allow position and thickness measurements of a projecting feature inside a hole, in addition to standard depth measurement.
- Direct reading for either measuring surface is obtained by pressing the OFFSET function, which compensates for the 10 mm (or 0.4") width of the hook.
- The ABSOLUTE feature of this gauge keeps track of the origin point (once set) for the entire life of the battery.
- SPC output.



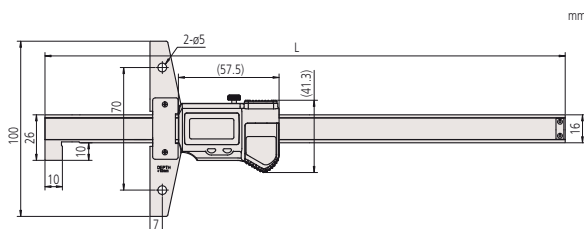
571-255-10

Metric

No.	Depth range	Hook range	L mm	Mass g
571-254-10	10-160 mm	0-150 mm	247	216
571-255-10	10-210 mm	0-200 mm	297	236

Inch/Metric

No.	Depth range	Hook range	L mm	Mass g
571-264-10*	10-160 mm/0.4-6.4"	0-150 mm/0-6"	247	216
571-265-10*	10-210 mm/0.4-8.4"	0-200 mm/0-8"	297	236



Functions	Series 571
Data output	●
ORIGIN	●
OFFSET	●
Auto power on-off	●
Low voltage alarm	●

Specifications

Accuracy	±0,03 mm
Resolution	0,01 mm or 0,01 mm/0.0005"
Repeatability	0,01 mm
Max. slider speed	Unlimited
Delivered	In soft case including 1 battery

Optional accessories

No.	Description
02AZD790A	Signal cable U-Wave
06ADV380A	Signal cable 2 m USB
05CZA624	Data cable 1 m with button
05CZA625	Data cable 2 m with button
900370	Base length 180 mm for range up to 300 mm
900371	Base length 260 mm for range up to 300 mm
900372	Base length 320 mm for range up to 300 mm

Consumable spares

No.	Description
938882	Battery SR44

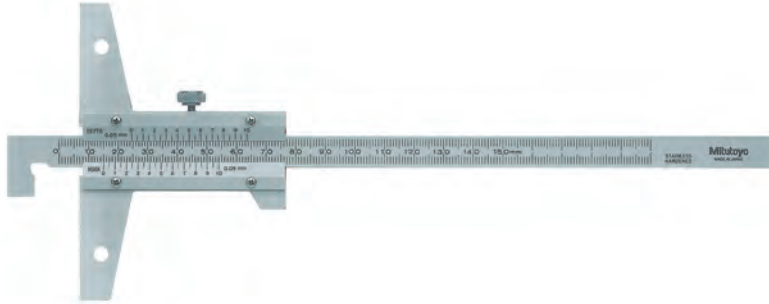
Optional accessories for Inch

No.	Description
900367	Base length 7" for range up to 12"
900368	Base length 10" for range up to 12"
900369	Base length 12" for range up to 12"

Vernier Depth Gauge Hook Type

Series 527

- The end of the beam is hook-shaped to allow depth and thickness measurements of a projected portion or lip in a hole, in addition to standard depth measurement.
- Fine adjustment models are available.



527-401

Metric

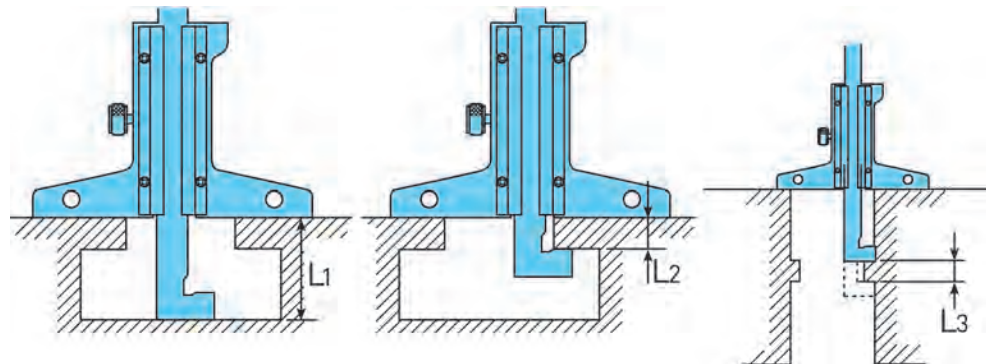
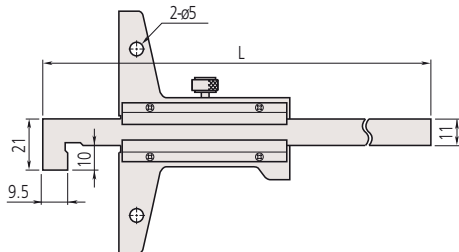
No.	Depth range	Hook range	Accuracy	Graduation	L mm	Mass g
527-401	10-150 mm	0-150 mm	±0,05 mm	0,05 mm	260	240
527-402	10-200 mm	0-200 mm	±0,05 mm	0,05 mm	310	240
527-403	10-300 mm	0-300 mm	±0,08 mm	0,05 mm	410	270

Metric

With fine adjustment

No.	Depth range	Hook range	Accuracy	Graduation	L mm	Mass g
527-411	10-150 mm	0-150 mm	±0,03 mm	0,02 mm	260	280
527-412	10-200 mm	0-200 mm	±0,03 mm	0,02 mm	310	300
527-413	10-300 mm	0-300 mm	±0,04 mm	0,02 mm	410	350

mm



L1 = depth-vernier reading / L2 = hook-vernier reading / L3 = (depth-vernier reading) - (hook-vernier reading)

Specifications

Accuracy Refer to the list of specifications

Optional accessories

No.	Description
06ABZ297	Plastic soft case for 150/200 mm depth gauge
06ADS452	Plastic soft case for 300 mm depth gauge
900370	Base length 180 mm for range up to 300 mm
900371	Base length 260 mm for range up to 300 mm
900372	Base length 320 mm for range up to 300 mm

ABSOLUTE Digimatic Depth Gauge Pin Type



Series 571

- The beam ends in a $\varnothing 1,9$ x 6 mm pin that makes this gauge suitable for measuring the depth of slots, grooves and blind holes.
- Designed for use in challenging work environments.
- Extremely resistant to coolants and lubricants.
- Base and measuring faces are hardened and micro-lapped.
- SPC data output.

Functions	Series 571
Data output	●
ORIGIN	●
Auto power on-off	●

Specifications

Accuracy	$\pm 0,03$ mm
Resolution	0,01 mm
Delivered	In soft case including 1 battery

Optional accessories

No.	Description
06ADV380A	Signal cable 2 m USB
02AZD790A	Signal cable U-Wave
05CZA624	Data cable 1 m with button
05CZA625	Data cable 2 m with button
900370	Base length 180 mm for range up to 300 mm
900371	Base length 260 mm for range up to 300 mm
900372	Base length 320 mm for range up to 300 mm

Consumable spares

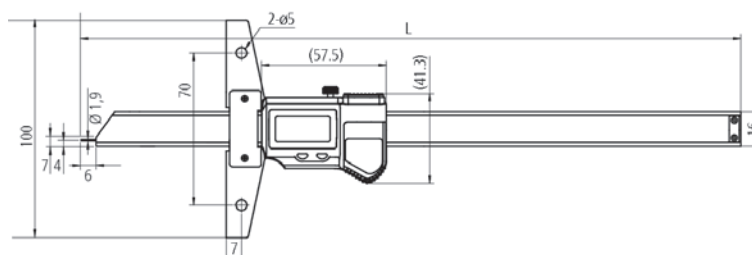
No.	Description
938882	Battery SR44



571-301-10

Metric

No.	Range	L mm	Mass g
571-301-10	0-150 mm	237	207
571-302-10	0-200 mm	287	227



Tyre Tread Depth Gauge

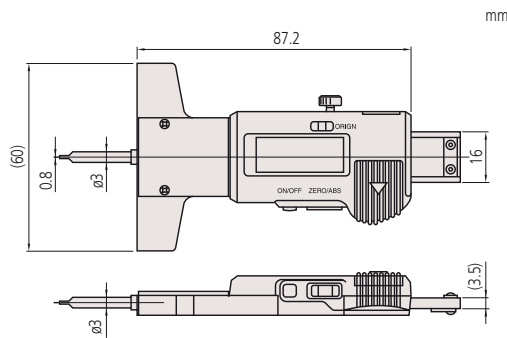
Series 571

- Specially designed to measure tyre tread depth.
- The ABSOLUTE feature of this gauge keeps track of the origin point (once set) for the entire life of the battery.
- SPC data output.

ABSOLUTE
Absolute System patented by MITUTOYO



571-100MOT-10



Metric

No.	Range	Accuracy	Mass g
571-100MOT-10	0-25 mm	±0,02 mm	160

Inch/Metric

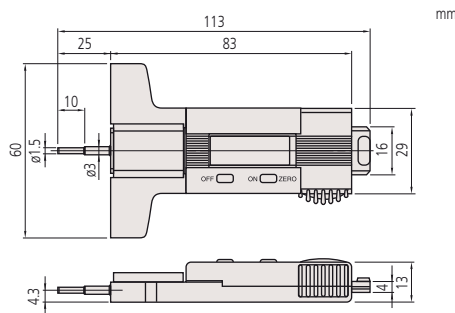
No.	Range	Accuracy	Mass g
571-200MOT-10	0-25 mm/0-1"	±0,02 mm/0.0005"	160

Series 700

- Specially designed to measure tyre tread depth.
- Plastic construction for lightweight use.



700-104



Metric

No.	Range	Accuracy	Mass g
700-104	0-25 mm	±0,2 mm	50

Inch/Metric

No.	Range	Accuracy	Mass g
700-105*	0-25 mm/0-1"	±0,2 mm/0.008"	50

Functions	Series 571
Data output	●
ORIGIN	●
ZERO/ABS	●
ON/OFF	●
Low voltage alarm	●

Specifications

Accuracy	Refer to the list of specifications (excluding quantizing error)
Resolution	0,01 mm or 0,01 mm/0.0005"
Repeatability	0,01 mm
Delivered	Including 1 battery

Optional accessories

No.	Description
959149	Signal cable 1 m with data switch
959150	Signal cable 2 m with data switch
959143	Data-hold unit
02AZD790C	Signal cable for U-Wave with data switch
06ADV380C	Signal cable 2 m USB

Consumable spares

No.	Description
938882	Battery SR44



Functions	Series 700
ZERO	●
ON/OFF	●
Low voltage alarm	●

Specifications

Accuracy	Refer to the list of specifications (excluding quantizing error)
Resolution	0,1 mm or 0,01 mm/0.001"
Delivered	Including 1 battery

Consumable spares

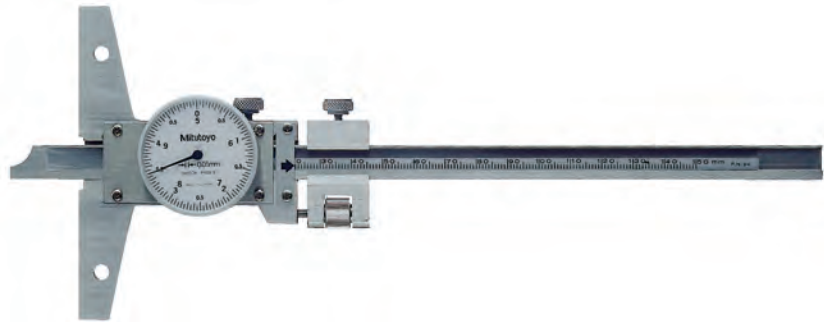
No.	Description
938882	Battery SR44



Dial Depth Gauge

Series 527

- Easy-to-read dial.
- Made of hardened stainless steel.
- Base and measuring faces are hardened and micro-lapped.
- With fine adjustment.



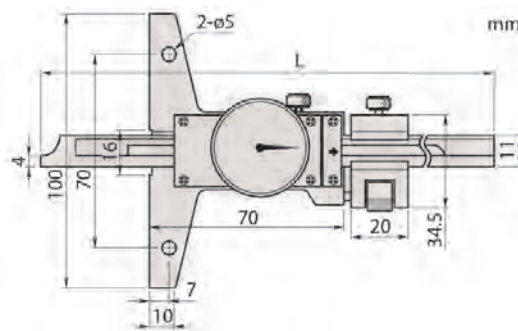
527-301-50

Metric

No.	Range	Accuracy	L mm	Mass g
527-301-50	0-150 mm	±0,05 mm	260	280
527-302-50	0-200 mm	±0,05 mm	310	300
527-303-50	0-300 mm	±0,08 mm	410	340

Inch

No.	Range	Accuracy	L mm	Mass g
527-311-50*	0-6"	±0.001"	260	280
527-312-50*	0-8"	±0.001"	310	300
527-313-50*	0-12"	±0.0015"	410	340



Functions	Series 527
Fine adjustment	

Specifications

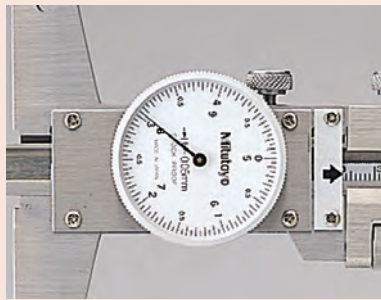
Accuracy	Refer to the list of specifications
Graduation	0,05 mm or 0.001"
Base size	100 x 6,5 mm (W x T)

Optional accessories

No.	Description
06ABZ297	Plastic soft case for 150/200 mm depth gauge
06ADS452	Plastic soft case for 300 mm depth gauge
900370	Base length 180 mm for range up to 300 mm
900371	Base length 260 mm for range up to 300 mm
900372	Base length 320 mm for range up to 300 mm

Optional accessories for Inch

No.	Description
900367	Base length 7" for range up to 12"
900368	Base length 10" for range up to 12"
900369	Base length 12" for range up to 12"



Optional Accessories for Depth Gauges

Extension bases

- Extension bases are suitable for fitting to depth gauge models up to 0-300 mm (0-12") range. They cannot be attached to 0-600 mm, 0-1000 mm, 0-24" or 0-40" range models.



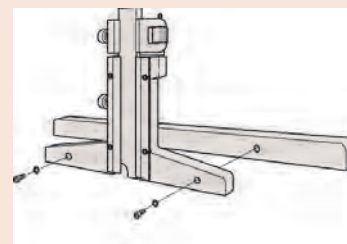
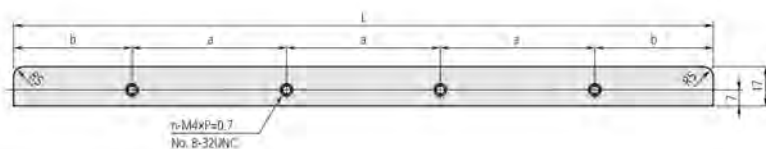
900372

Metric

No.	Size L	a	b	Number of holes	Mass g
900370	180 mm	70 mm	55 mm	2	200
900371	260 mm	35 mm	60 mm	5	270
900372	320 mm	70 mm	55 mm	4	345

Inch

No.	Size L	a	b	Number of holes	Mass g
900367*	7"	2.76"	2.17"	2	190
900368	10"	1.38"	2.36"	5	280
900369	12"	2.76"	2.17"	4	350



Attaching the extension base